

PIENAAR ENERGY (PTY) LTD

Energy storage base station manufacturer ranking



Overview

Explore the Top 17 Battery Energy Storage Systems (BESS) companies of 2025, including Fluence, LG Energy Solution, Samsung SDI, Hitachi ABB Power Grids, TotalEnergies, Narada, Siemens Energy, GE Renewable Energy, Kokam, and VRB Energy. Annual installed storage capacity surpassed 78 GWh in 2024, marking a 32% year-on-year increase, driven by falling battery costs—down 11% from the previous year—and rising global energy demand. Grid modernization initiatives in over 42 countries are fueling large-scale procurement, while renewable. According to a report by Fortune Business Insights™, the market size for battery energy storage is valued at USD 25.02 billion in 2024 and is expected to reach 114. This comprehensive analysis ranks the top 10 BESS manufacturers based on production. As 2026 begins, these ten BESS manufacturers dominate the global marketplace: Here's how.

CATL For decades, the power grid operated on the idea that electricity had to be generated the exact moment it was consumed. But that architecture is breaking down under a slew of new. Including Tesla, GE and Enphase, this week's Top 10 runs through the leading energy storage companies around the world that are revolutionising the space Whether it be energy that powers smartphones or even fuelling entire cities, energy storage solutions support infrastructure that acts as a. This report provides a comprehensive overview of the battery storage market, highlighting key growth drivers, technological advancements, and a curated list of companies poised for significant impact in 2025 and beyond.

Energy storage base station manufacturer ranking



10 Best Battery Energy Storage Companies in 2025

Discover the top 10 best Battery Energy Storage Companies of 2025, leading the way with innovative technologies and global market presence.

[Get Price](#)

Top 10 Energy Storage Battery Manufacturers (2025)

Below are ten of the most influential energy storage battery manufacturers worldwide, covering a wide range of applications from residential to commercial and grid-level storage.



[Get Price](#)



Top 10 Battery Energy Storage System Manufacturers

Manufacturers are aggressively pursuing vertical integration and scaling "gigafactory" production to reduce costs, while simultaneously adopting chemistries that offer superior safety ...

[Get Price](#)

Top Battery Storage

Companies to Watch in 2025

Panasonic's strategic focus and ongoing advancements are expected to solidify its position as a leading battery manufacturer for both electric vehicles and energy storage solutions in 2025 and ...

[Get Price](#)



Top 10 Global BESS Manufacturers - BESSfinder

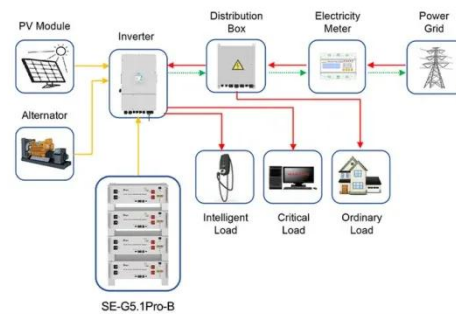
This comprehensive analysis ranks the top 10 BESS manufacturers based on production capacity, global market presence, technological advancements, and notable project implementations.

[Get Price](#)

Top 10: Energy Storage Companies , Energy Magazine

In this week's Top 10, Energy Digital takes a deep dive into energy storage and profile the world's leading companies in this space who are leading the charge towards a more sustainable ...

[Get Price](#)



Application scenarios of energy storage battery products

Top 10 energy storage manufacturers in the world

This article will mainly explore the top 10 energy storage manufacturers in the

 TAX FREE    



world including BYD, Tesla, Fluence, LG energy solution, CATL, SAFT, Invinity Energy Systems, Wartsila, NHOA energy, ...

[Get Price](#)

Top 17 Battery Energy Storage Systems (BESS) Companies in 2025 ...

Explore the Top 17 Battery Energy Storage Systems (BESS) companies of 2025, including Fluence, LG Energy Solution, Samsung SDI, Hitachi ABB Power Grids, TotalEnergies, ...



[Get Price](#)



Top 10 Battery Energy Storage Companies Driving Innovation in 2025

Explore how leading battery energy storage manufacturers are powering renewable energy, grid stability, and sustainability in 2025.

[Get Price](#)

CATL, Sungrow and CRRC Zhuzhou lead Chinese energy storage rankings

The China Energy Storage Alliance (CNESA) has released its 2024 rankings of Chinese energy storage companies, with CATL, Sungrow, and CRRC Zhuzhou Institute securing top ...

[Get Price](#)



Contact Us

For catalog requests, pricing, or partnerships, please visit:
<https://www.pienaarshof.co.za>

