

PIENAAR ENERGY (PTY) LTD

Dual change solar cabinet system



Overview

Dual fire suppression, ATS/STS ensure seamless power switching. Integrated BMS/PCS/EMS supports diverse applications. DC coupling, full fault protection, low battery cycling, auto current sharing, and fast delivery with reliable testing. MAIN FEATURES. HighJoule's Home Solar Energy Storage Cabinet-Style Systems offer efficient, reliable, and scalable solar storage solutions for residential homes. While a single oversized inverter may seem convenient, a dual inverter setup using two Fortress Power Envy inverters offers reliability, flexibility, and long-term. The BSLBATT PowerNest LV35 hybrid solar energy system is a versatile solution tailored for diverse energy storage applications. Equipped with a robust 15kW hybrid inverter and 35kWh rack-mounted lithium-ion batteries, the system is seamlessly housed in an IP55-rated cabinet for enhanced protection. Electrical cabinets for energy conversion and storage: Energy conversion and storage unit that can be interconnected with external energy sources (PV, grid, generator).

Dual change solar cabinet system



Energetech Solar

Products: 3 item (s) Sort by: Hybrid All-In-One 20kWh 12kW AC Renon or Luxpower Grid-Tied Inverter Weathertight Outdoor Cabinet System with Heating and Cooling \$15,636.00 Select Options Hybrid ...

[Get Price](#)

Home Solar Energy Storage Cabinet-Style Systems

Maximize solar energy usage, reduce energy bills, and ensure reliable backup power. Discover advanced inverters, customizable battery capacities, and remote monitoring options with HighJoule.

[Get Price](#)



Solar dual energy storage cabinet system

What is a hybrid solar inverter & lithium battery storage system? Seamlessly combining a hybrid solar inverter and lithium battery storage, it provides a reliable, scalable, and cost-effective ...

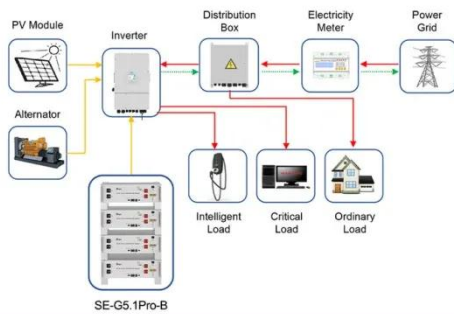
[Get Price](#)

IP55 Rated Dual Bay Outdoor Lithium Battery and Solar Inverter ...

AZE's IP55 rated dual bay outdoor telecom cabinets provide double door options for racking requirements. Made of quality galvanized or aluminum or stainless steel, our outdoor enclosures are ...



[Get Price](#)



Application scenarios of energy storage battery products

Dual Systems for Solar + Storage , Fortress Power Envoy Inverters

While a single oversized inverter may seem convenient, a dual inverter setup using two Fortress Power Envoy inverters offers reliability, flexibility, and long-term scalability.

[Get Price](#)

SNADI Integrated PV Energy Storage Cabinet

Built-in fire, flood, and temperature control with system warnings for safety. Dual ...

[Get Price](#)



15kW / 35kWh Hybrid Solar System Integrated Energy Storage Cabinet



This fully integrated energy storage system features a comprehensive all-in-one design, incorporating essential switches for battery fuses, photovoltaic input, utility grid, load output, and diesel generators.

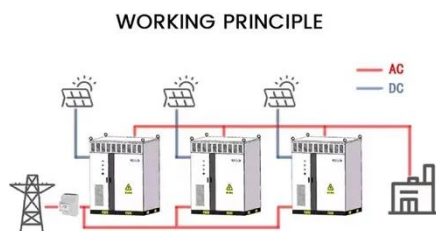
[Get Price](#)

Energy Storage Cabinet_SOFAR

Safety designs such as water and electricity separation, three-level fire protection + explosion venting + exhaust, liquid cooling + dehumidification design, all ensure the safety of the energy storage ...



[Get Price](#)



SNADI Integrated PV Energy Storage Cabinet

Built-in fire, flood, and temperature control with system warnings for safety. Dual fire suppression, ATS/STS ensure seamless power switching. Integrated BMS/PCS/EMS supports diverse applications.

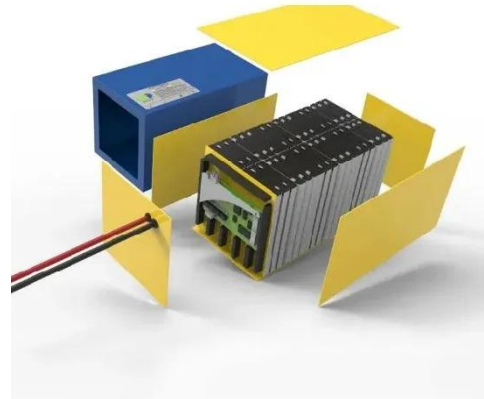
[Get Price](#)

Solar Hybrid Box®

Electrical cabinets for energy conversion and storage: Energy conversion and

storage unit that can be interconnected with external energy sources (PV, grid, generator).

[Get Price](#)



dual charge solar cabinet system

The Dual Power ATS automatically switches between the solar power system and the backup source, ensuring that the transition is smooth and that there is no downtime.

[Get Price](#)



Contact Us

For catalog requests, pricing, or partnerships, please visit:
<https://www.pienaarshof.co.za>

