

PIENAAR ENERGY (PTY) LTD

Double-glass photovoltaic panel sun room



Double-glass photovoltaic panel sun room



What is the Double Glass (Dual Glass) Photovoltaic Solar Panel?

What is the Double Glass Photovoltaic Solar Panel? Glass-glass module structures (Dual Glass or Double Glass) is a technology that uses a glass layer on the back of the modules instead of ...

[Get Price](#)

2025 Complete Guide to Glass-Glass Solar Panels: The Top Choice ...

Compared to traditional glass-backsheet modules, they offer greater durability and environmental resistance. The dual-glass structure provides enhanced protection for solar cells ...



[Get Price](#)

18650 3.7V
Li-ion
RECHARGEABLE BATTERY
2000mAh



Photovoltaic System for a Sunroom

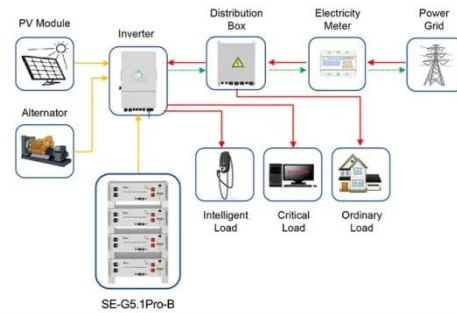
These high-efficiency photovoltaic panels are installed on the glass of the sunroom, maximizing the use of solar resources. Each day, this system can generate approximately 13kWh of electricity, providing ...

[Get Price](#)

2025 Guide to Dual-Glass Solar Modules: When Premium Panels ...

Complete guide to dual-glass solar panels: applications, benefits, costs & limitations. Learn when this premium technology provides genuine value vs conventional panels.

[Get Price](#)



Application scenarios of energy storage battery products



Single vs. double glass solar panels - which is better?

To make purchasing decisions a little more complex for solar panel buyers, there may be a conflict between single and double/double glass panels. So, which is better?

[Get Price](#)

How about double-glass double-sided solar panels , NenPower

While conventional solar panels feature a single layer of protective glass, double-glass panels utilize two layers, encapsulating photovoltaic cells in a manner that enhances efficiency and ...

[Get Price](#)



Double Glass Photovoltaic Panels: Benefits, Applications, and Industry



Summary: Double glass photovoltaic panels are revolutionizing solar energy systems with enhanced durability, higher efficiency, and broader applications. This article explores their advantages, real ...

[Get Price](#)

Double the strengths, double the benefits

Traditional solar panels typically feature a glass front and a polymer backsheet. In contrast, double glass modules replace the polymer layer with another glass sheet, creating a robust ...

[Get Price](#)



What are Double Glass Solar Panels?

Compared to traditional glass-backsheet modules, they offer greater durability and environmental resistance. The dual-glass structure provides enhanced protection for solar cells ...

[Get Price](#)

What are Double Glass Solar Panels?

Double-glass solar modules are made up of two layers of tempered glass that cover both sides of the solar panel. As

snow accumulates on a typical solar panel or people stomp on it (during ...

[Get Price](#)



Double-Side Glass Technology in PV Systems: Benefits, ...

Double side glass in PV systems boosts energy yield, enhances durability, and requires careful installation for optimal solar performance.

[Get Price](#)

Contact Us

For catalog requests, pricing, or partnerships, please visit:
<https://www.pienaarshof.co.za>

