

PIENAAR ENERGY (PTY) LTD

Distributed Solar Power Generation Case



IP65/IP55 OUTDOOR CABINET

ALUMINUM

OUTDOOR ENERGY STORAGE
CABINET

OUTDOOR EQUIPMENT CABINET



Overview

China has the world's largest photovoltaic (PV) market, and its cumulative PV installation capacity reached more than 200 GW in 2019. However, a large gap remains to achieve the ambitious target of 1200.

Distributed Solar Power Generation Case



Renewable electricity - Renewables 2025 - Analysis

Globally, renewable power capacity is projected to increase almost 4 600 GW between 2025 and 2030 - double the deployment of the previous five years (2019-2024). Growth in utility-scale and ...

[Get Price](#)

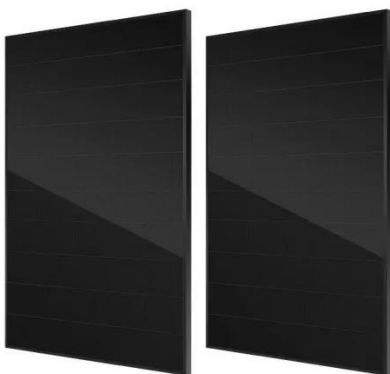
Distributed Solar Generation: Current Knowledge and Future

...

Distributed solar generation (DSG) has been growing over the previous years because of its numerous advantages of being sustainable, flexible, reliable, and increasingly affordable. DSG is ...



[Get Price](#)



From Sun to Roof to Grid: World Bank Reports Reveal Distributed Solar

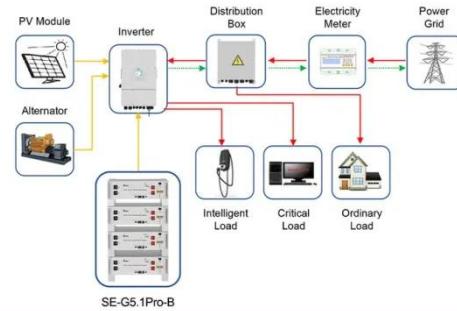
Key considerations for program design and implementation include: Screen all use cases for a given country in combination with other distributed energy resources, and bear in mind job creation and ...

[Get Price](#)

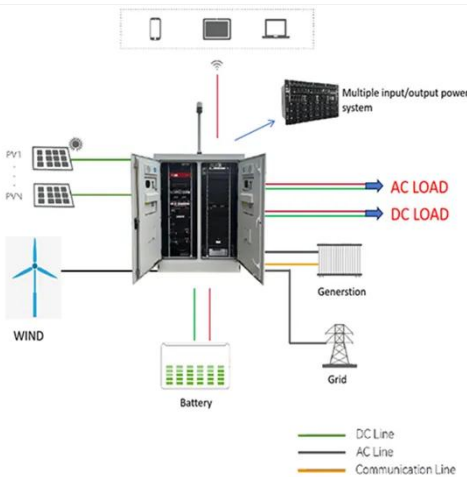
World Bank Document

These properties distinguish DPV from bulk generation sources--including large-scale ground-mounted PV power plants--and from other distributed generation technologies.

[Get Price](#)



Application scenarios of energy storage battery products



Overall review of distributed photovoltaic development in China

The generation subsidy subsidizes power generation during the whole operation process, which means good quality PV stations can earn more subsidy and encourages projects' quality control.

[Get Price](#)

The Joint Application of Photovoltaic Generation and Distributed ...

Over the last decades, Distributed Generation (DG) was presented as a possible alternative for integrating renewable energy sources into the electrical system. This resulted in the ...

[Get Price](#)



Editorial: Distributed solar PV applications



Keywords: distributed solar PV, power systems, PV integration, shading, optimization of solar power generation
Citation: Nasirov S, Ciarreta A, Agostini CA and Gutiérrez-Hita C (2024) ...

[Get Price](#)

Distributed solar photovoltaic development potential and a ...

Similarly, the difference in DSPV generation to satisfy the electricity demand in various sectors requires political and industrial efforts to address the mismatch between solar PV power ...

[Get Price](#)



Optimal allocation of wind and solar power based distributed generation

This article aims to enrich the performance of the entire network through the best possible placement and penetration of wind energy and solar photovoltaic (PV) dispersed generation.

[Get Price](#)

Distributed energy systems: A review of classification, ...

Distributed generation offers efficiency,

flexibility, and economy, and is thus regarded as an integral part of a sustainable energy future. It is estimated that since 2010, over 180 million off-grid

...

[Get Price](#)



Contact Us

For catalog requests, pricing, or partnerships, please visit:
<https://www.pienaarshof.co.za>

