

PIENAAR ENERGY (PTY) LTD

Design of photovoltaic energy storage scheme in the park



Overview

This article explores the intricate process of designing solar energy systems specifically tailored for parks and nature reserves within the industry of solar electric power generation. The International Energy Agency (IEA) estimates that 450 gigawatts (GW) of new green power will be installed worldwide by the end of 2023, two-thirds of which will be photovoltaic (PV) systems. But how do you build a photovoltaic system?

How do you install a solar panel?

And how does such a system. Those open spaces where kids chase ice cream trucks and couples picnic under trees are secretly ideal solar power hubs. Let's explore how urban planners are flipping the script -. This study aims to analyze the economic performance of various parks under different conditions, particularly focusing on the operational costs and power load balancing before and after the deployment of energy storage systems. Here's how cities and businesses are leveraging this technology to create greener, more re Looking to power public parks with clean energy while cutting operational. With global investment in energy storage projected to hit \$400 billion by 2025 [1], parks worldwide are racing to implement storage solutions. But here's the thing—how do we actually design systems that meet these complex needs while keeping costs under control?

Let's cut to the chase—three.

Design of photovoltaic energy storage scheme in the park



Coordinated Multi-Scenario Optimization Strategy for Park Photovoltaic

Optimizing the operation of photovoltaic (PV) storage systems is crucial for meeting the load demands of parks while minimizing curtailment and enhancing economic efficiency. This paper proposes a multi ...

[Get Price](#)

Park Energy Storage Project Design: Solving Modern Challenges with

With global investment in energy storage projected to hit \$400 billion by 2025 [1], parks worldwide are racing to implement storage solutions. But here's the thing--how do we actually design systems that ...

[Get Price](#)



Park Photovoltaic Energy Storage Projects: Sustainable Energy ...

Park photovoltaic energy storage projects are transforming urban landscapes by combining solar power with smart battery systems. Here's how cities and businesses are leveraging this

technology to ...

[Get Price](#)



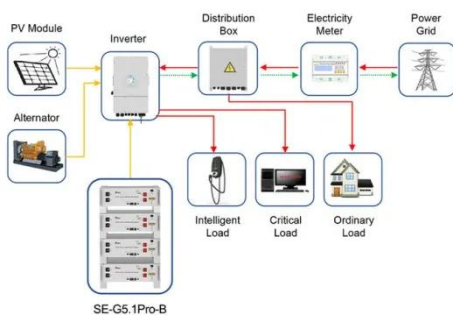
Economic Analysis and Optimization of Energy Storage

...

This paper simulates and analyzes the economic performance and operation of energy systems in each park equipped with a 50kW/100kWh energy storage system, including wind power generation, solar ...



[Get Price](#)



Application scenarios of energy storage battery products

How a photovoltaic park is built , Enel Group

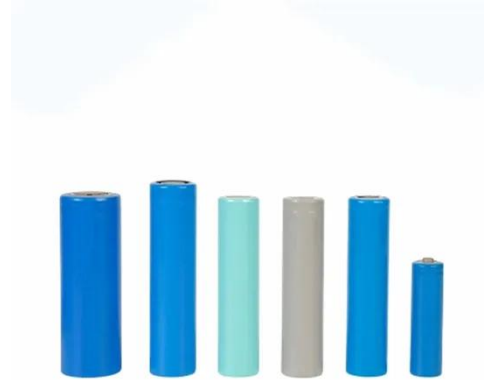
Find out how a solar park is built, from the construction phase to energy production, and how a photovoltaic system operates.

[Get Price](#)

Energy storage and management system design optimization for a

This study aims to analyze and optimize the photovoltaic-battery energy storage (PV-BES) system installed in a low-energy building in China. A novel energy management strategy considering ...

[Get Price](#)



Best 6 Ways Solar Parks: Understanding Impact and Benefit

Discover the concept of Solar Parks and explore their benefits, impact on renewable energy, and how they contribute to a sustainable future.

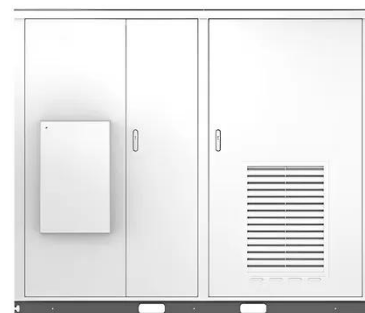
[Get Price](#)

Innovative Solar Design for Parks & Nature Reserves

Expert insights on designing solar energy systems for parks and nature reserves using advanced data analytics and DataCalculus.

[Get Price](#)

Solar



Design Plan for Photovoltaic Panels in the Park: Where Sustainability

Ever noticed how parks naturally attract sunlight? Those open spaces where kids

chase ice cream trucks and couples picnic under trees are secretly ideal solar power hubs. A well-crafted design plan ...

[Get Price](#)



51.2V 150AH, 7.68KWH

Solar PV Park Design Guide for Sustainable Energy Projects

Explore solar PV park design and engineering solutions for effective, sustainable energy projects in India.

[Get Price](#)



Contact Us

For catalog requests, pricing, or partnerships, please visit:
<https://www.pienaarshof.co.za>

