

PIENAAR ENERGY (PTY) LTD

Currently the main applications of electrochemical energy storage



Currently the main applications of electrochemical energy storage



Flexible electrochemical energy storage devices and related

This review is intended to provide strategies for the design of components in flexible energy storage devices (electrode materials, gel electrolytes, and separators) with the aim of ...

[Get Price](#)

Electrochemical Energy Storage: Key Technologies and Applications ...

Summary: Electrochemical energy storage systems are revolutionizing industries from renewable energy to transportation. This article explores cutting-edge technologies, real-world applications, and ...



[Get Price](#)



Electrochemical Energy Storage , Energy Storage Research , NLR

Electrochemical energy storage systems face evolving requirements. Electric vehicle applications require batteries with high energy density and fast-charging capabilities. Grid-scale ...

[Get Price](#)

A Review of Potential Electrochemical Applications in Buildings for

Overall, these electrochemical technologies offer more than just a way to store energy for buildings. In their application, they act as a decentralized energy source; that is, they generate power right where ...

[Get Price](#)



(PDF) A Comprehensive Review of Electrochemical Energy Storage

This comprehensive review critically examines the current state of electrochemical energy storage technologies, encompassing batteries, supercapacitors, and emerging systems, ...

[Get Price](#)

Recent Advances in Electrochemical Energy Storage: The Chemical ...

Energy conversion, consumption, and storage technologies are essential for a sustainable energy ecosystem. Energy storage technologies like batteries, supercapacitors, and fuel ...

[Get Price](#)



Electrochemical energy storage systems: A review of types



Electrochemical energy storage systems (ECESS) are at the forefront of tackling global energy concerns by allowing for efficient energy usage, the integration of renewable resources, and ...

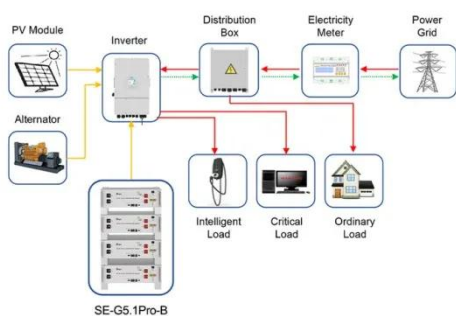
[Get Price](#)

Electrochemical Energy Conversion and Storage Strategies

Consequently, EECs technologies with high energy and power density were introduced to manage prevailing energy needs and ecological issues. In this contribution, recent trends and ...



[Get Price](#)



Application scenarios of energy storage battery products

ELECTROCHEMISTRY AND ENERGY STORAGE: PRINCIPLES, ADVANCES AND APPLICATIONS

This paper presents a comprehensive review of the fundamental principles, materials, systems, and applications of electrochemical energy storage, including batteries, super capacitors, and fuel cells.

[Get Price](#)

Electrochemical storage

systems for renewable energy integration: A

The primary objective of this review is to provide a critical assessment of the current state and future prospects of electrochemical storage technologies in grid applications.

[Get Price](#)



Display screen
Linux operation system
quad-core processors
smooth and stable system

Contact Us

For catalog requests, pricing, or partnerships, please visit:
<https://www.pienaarshof.co.za>

