

PIENAAR ENERGY (PTY) LTD

Cote d Ivoire 5g communication base station lead-acid battery



Cote d Ivoire 5g communication base station lead-acid battery



Base station lead-acid battery energy storage

5G base station application of lithium iron phosphate battery advantages rolling lead-acid batteries With the pilot and commercial use of 5G systems, the large power consumption Our ...

[Get Price](#)

Global Lead-acid Battery for Telecom Base Station Market

...

Telecom base station batteries are mainly used as backup power sources for 4G, 5G and other communication base stations. Communication energy storage refers to equipment used to store ...



[Get Price](#)



Communication base station lead-acid battery wind power

...

Communication base station lead-acid battery wind power generation When installing lead-acid batteries in telecom base stations, several critical factors must be considered to ensure efficient, ...

...

[Get Price](#)

APPLICATION OF ENERGY STORAGE LEAD ACID BATTERIES IN 5G BASE STATIONS

Land type for lead-acid batteries in communication base stations The global Battery for Communication Base Stations market size is projected to witness significant growth, with an estimated value of USD ...



[Get Price](#)



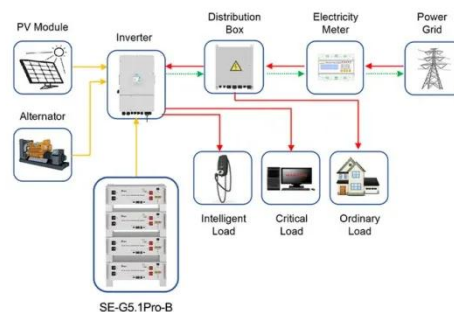
Cote d'Ivoire 5G communication base station battery

Supercapacitors for Cote d'Ivoire communication base stations Next-generation battery management systems maintain optimal performance with 40% less energy loss, extending battery lifespan to 15+ ...

[Get Price](#)

Communication base station lead-acid battery

From communication base station to emergency power supply lead-acid Lead-acid batteries have built a solid power guarantee network in the field of communication base stations and ...



Application scenarios of energy storage battery products

[Get Price](#)



Communication Base Station Lead-Acid Battery: Powering ...

In an era where lithium-ion dominates headlines, communication base station lead-acid batteries still power 68% of global telecom towers. But how long can this 150-year-old technology sustain our ...

[Get Price](#)

Côte d'Ivoire 5G communication base station energy storage ...

Are lithium batteries suitable for a 5G base station? 2) The optimized configuration results of the three types of energy storage batteries showed that since the current tiered-use of lithium batteries for ...



[Get Price](#)



BATTERIES GT SEALED LEAD ACID MANUFACTURERS IN COTE D IVOIRE

Global key players of Battery For Communication Base Stations include Narada, Samsung SDI, LG Chem, Shuangdeng and Panasonic, etc. Global top five manufacturers hold a share nearly 20%.

[Get Price](#)

COMMUNICATION BASE

STATION LEAD ACID BATTERY

...

The battery cabinet for base station is a special cabinet to provide uninterrupted power supply for communication base stations and related equipment, which can be placed with various types of lead

...

[Get Price](#)



Contact Us

For catalog requests, pricing, or partnerships, please visit:
<https://www.pienaarshof.co.za>

