

PIENAAR ENERGY (PTY) LTD

Comparison of a 10kW energy storage cabinet with a traditional generator



Comparison of a 10kW energy storage cabinet with a traditional generator



Why a 10kW Standby Generator is the Right Choice

In this article, we'll explore the differences between these systems, the benefits of a 10kW standby generator, and why investing in an eco-friendly generator is a smart decision for the future.

[Get Price](#)

How do residential energy storage systems compare to backup ...

Residential energy storage systems (RESS) and backup generators (BG) represent two contrasting approaches to energy management.



[Get Price](#)



Home Battery Storage vs Generators - EndurEnergy

Here is the comparative analysis of residential battery storage and generators under the following factors, The initial installation cost of the battery storage system is expensive compared to buying ...

[Get Price](#)

Generac Power Cell vs Generator - 101 Generator

The key difference lies in energy storage versus generation: the Power Cell delivers energy stored in its batteries and needs recharging, whereas generators produce power continuously

...

[Get Price](#)



Head to Head: Energy Storage Versus a Generator

One or more Enphase Encharge 10 storage solutions can provide fully automated battery backup without the need for fossil fuels while a gasoline-generator can provide mobile flexibility and ...

[Get Price](#)

Diesel Generators vs. Modern Energy Storage Systems: Technology

This article offers a deep-dive comparison between traditional diesel generators and modern energy storage cabinets, including technology differences, operational performance, environmental impact, ...

[Get Price](#)



Generator vs. Energy Storage: Which is the Best Option for



You?

When deciding between a generator and an energy storage system, you should consider factors such as use case, advantages and disadvantages, installation process, operational efficiency, ...

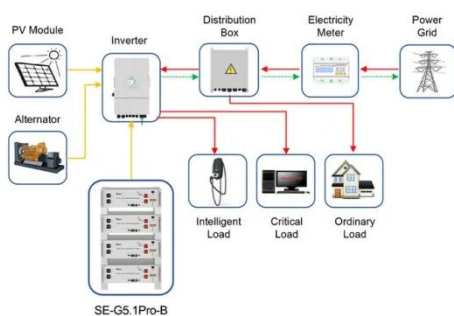
[Get Price](#)

Generator vs. Energy Storage: Which Power Backup Solution Is Right for

With growing concerns over electricity reliability and rising energy costs, more people are looking for long-term backup solutions. At Vigood Solartek, we help our customers choose between ...



[Get Price](#)



Application scenarios of energy storage battery products

Comparison of 10kW Energy Storage Container and Diesel Generator

Compare Diesel Generators vs. Battery Energy Storage Systems to find the best backup power solution for your needs. Learn about costs, efficiency, and environmental

[Get Price](#)

Energy Storage Cabinet vs. Generator: Which Power Solution Fits ...

Meta Description: Discover the key differences between energy storage cabinets and generators. Learn which solution offers cost efficiency, sustainability, and reliability for residential, industrial, and ...

[Get Price](#)



Contact Us

For catalog requests, pricing, or partnerships, please visit:
<https://www.pienaarshof.co.za>

