

PIENAAR ENERGY (PTY) LTD

Comparative analysis of photovoltaic panel manufacturers



Overview

Wood Mackenzie's score-based ranking assessed more than 40 leading module manufacturers across 10 countries. These companies accounted for 62% of global production capacity and 89% of global module shipments in 2024, highlighting the concentrated nature of the industry's top. This guide compares leading solar panel manufacturers worldwide, examines the resurgence of US manufacturing, and shows how businesses can source panels wholesale. In recent years, global production of crystalline silicon modules exceeded five hundred gigawatts, nearly doubling the previous year. In this article, we list the top 12 solar PV panel manufacturers we vouch for. These 12 suppliers are known for their durability. N-type Technology Dominance: By 2025, virtually all leading manufacturers have transitioned to N-type cell technology (HJT, TOPcon, or Back-contact), delivering 19-24.3% efficiency compared to older P-type cells at 17. The photovoltaic industry grew 35% year-over-year in 2023.

Comparative analysis of photovoltaic panel manufacturers



Single Phase Hybrid

- 5 Year Warranty Period
- 9 Year Global Leading Inverter Brand
- Top 3 World Single Phase PV Inverter Supplier

2025 Top 20 Global Photovoltaic Module Manufacturers Revealed by PVBL

During the conference, PVBL announced its annual ranking of the top 20 global photovoltaic module manufacturers. In 2024, the global solar module market continued to see the strongest players ...

[Get Price](#)

Best Solar Panel Brands 2025: Expert Reviews & Rankings

Independent testing reveals the top solar panel brands for 2025. Compare efficiency, warranties, and real-world performance from industry experts.

[Get Price](#)



Single Phase Hybrid

- 5 Year Warranty Period
- 9 Year Global Leading Inverter Brand
- Top 3 World Single Phase PV Inverter Supplier

Who are the top 10 photovoltaic module producers in the world?

Each year, Wood Mackenzie answers this question with an analysis of the 40 largest solar panel brands across 10 countries. These companies alone account for 62% of global manufacturing capacity and ...

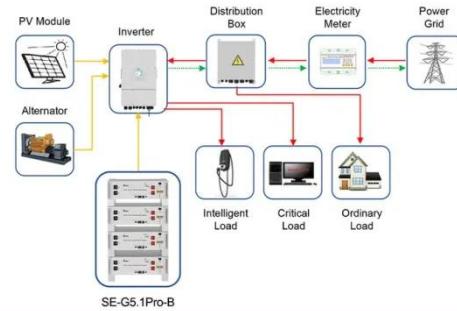


[Get Price](#)

Top 12 Solar Panel Manufacturers in 2026

Explore the biggest solar panel manufacturers and top-tier brands: a detailed comparison of the solar industry's big players.

[Get Price](#)



Application scenarios of energy storage battery products



2025 solar ranking , Wood Mackenzie

Wood Mackenzie's score-based ranking assessed more than 40 leading module manufacturers across 10 countries. These companies accounted for 62% of global production capacity and 89% of global ...

[Get Price](#)

Comparative analysis and trends in performance of identical PV panels

This study conducted a comparative analysis of various photovoltaic (PV) panel technologies across three distinct demonstration sites. The unique aspect of this work lies in the uniformity of panel types installed ...

[Get Price](#)



Top solar panel brands in performance, reliability, and

quality

The Renewable Energy Test Center (RETC) released its 2023 PV Module Index report, evaluating the reliability, quality, and performance of solar panels.

[Get Price](#)



Solar Manufacturing Cost Analysis , Solar Market Research & Analysis , NLR

Input data for this analysis method are collected through primary interviews with PV manufacturers and material and equipment suppliers. This approach enables NLR to estimate step-by-step ...

[Get Price](#)



Top Photovoltaic Panel Manufacturers 2024: Key Players Shaping Solar

Looking for reliable solar panel suppliers? This ranking breaks down the best photovoltaic manufacturers based on innovation, market share, and technical capabilities - essential insights for solar project developers and ...

[Get Price](#)

Solar Panel Manufacturers 2025: Global And US Leaders

This guide compares leading solar panel manufacturers worldwide, examines the resurgence of US manufacturing, and shows how businesses can source panels wholesale.

[Get Price](#)



Contact Us

For catalog requests, pricing, or partnerships, please visit:
<https://www.pienaarshof.co.za>

