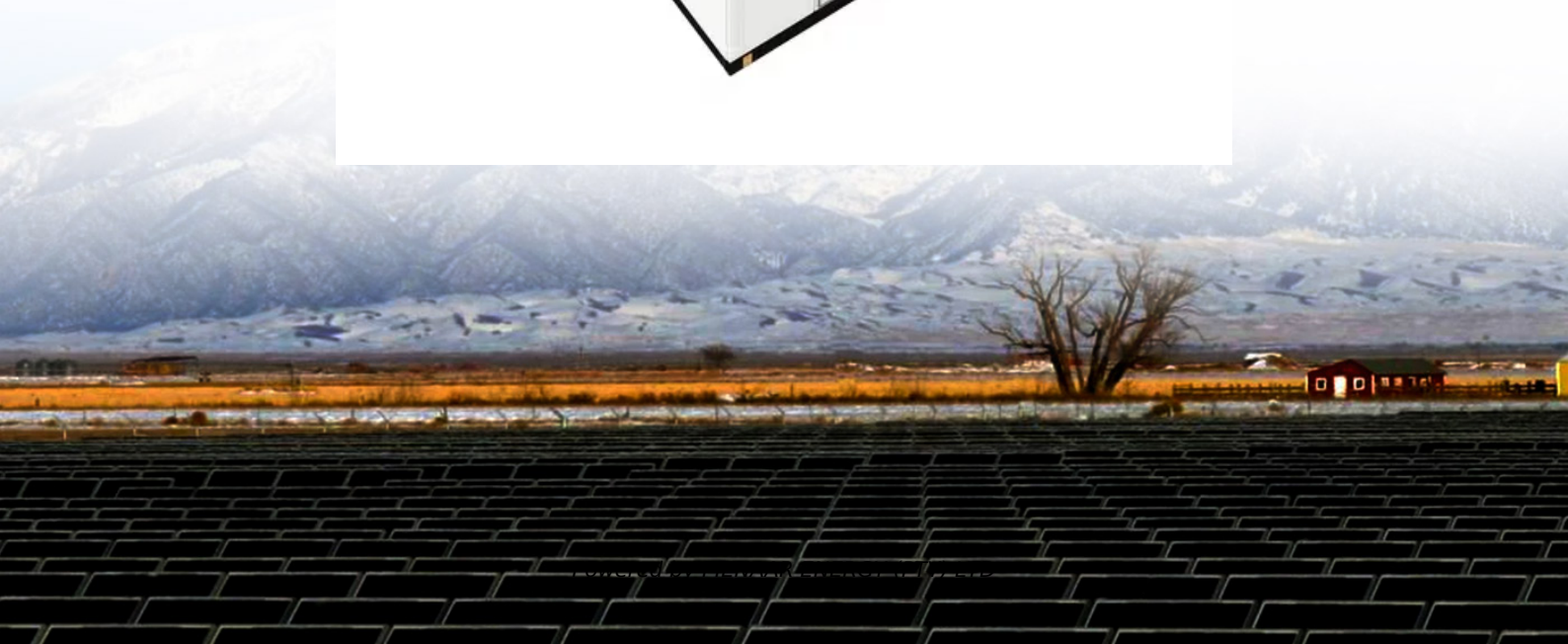


PIENAAR ENERGY (PTY) LTD

Choice of EMS operators for solar container communication stations



Overview

What are the EMS manufacturers for solar energy procurement, SMT assembly, product integration, product testing, fulfillment and other production needs on an outsourced basis. This article explores the top 18 global EMS providers in 2023 based on factors between the Energy Management System and. Are communication and control systems needed for distributed solar PV systems?

The existing communication technologies, protocols and current practice for solar PV integration are also introduced in the report. Key production regions include Guangdong (Shenzhen, Dongguan), Zhejiang (Jiaxing), Jiangsu (Wuxi), Anhui (Hefei), and. Benefits of Effective EMS Communication in TLS BESS Containers: Enhanced Performance Optimization: Huijue Group's energy storage solutions (30 kWh to 30 MWh) cover cost management, backup power, and microgrids.

Choice of EMS operators for solar container communication stations



Dedicated solar container communication station EMS power ...

How does EMS control energy storage power stations? EMS regulates the stable change of active power of energy storage power stations to avoid short-term impact on the power grid. The control ...

[Get Price](#)

Which solar container communication station EMS works

Through EMS communication, TLS BESS containers regulate the operation of inverters, adjusting output levels based on grid demand, renewable energy availability, and High-efficiency Mobile Solar PV ...

[Get Price](#)



Technical disclosure on EMS construction of solar container

This paper presents the design considerations and optimization of an energy management system (EMS) tailored for telecommunication base stations (BS) powered by

[Get Price](#)

Where is the fan of the solar container communication station EMS

What is EMS communication? EMS communication refers to the exchange of data and instructions between the Energy Management System and various components within a BESS container.

[Get Price](#)**ESS**

What are the EMS manufacturers for solar communication stations

Here are the top 18 global EMS companies in 2023: 1. Rayming Technology Rayming is a high quality, ISO certified EMS company providing end-to-end manufacturing

[Get Price](#)

How does the EMS of wireless solar container communication stations

What is an energy storage system (EMS)? By bringing together various hardware and software components, an EMS provides real-time monitoring, decision-making, and control over the charging ...

[Get Price](#)



Solar Container Communication Station Ems Network

Modular solar power station containers represent a revolutionary approach to renewable energy deployment, combining photovoltaic technology with standardized shipping.

[Get Price](#)

Energy Storage Equipment, Energy storage solutions, Lithium battery

Huijue Group offers industrial and commercial energy storage, PV-BESS -EV Charging, Off-grid / On-grid Microgrid, telecom site solutions, and home solar energy storage, ensuring ...

[Get Price](#)



OmniOn Power Homepage

From powering the data centers enabling



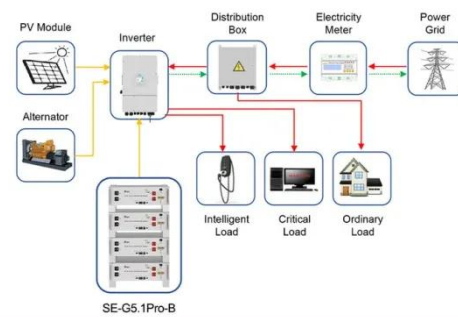
AI and supercomputing, to supporting the global deployment of next-generation wireless networks, to enabling uptime in Industry 4.0 ...

[Get Price](#)

The solar container communication station energy management ...

By bringing together various hardware and software components, an EMS provides real-time monitoring, decision-making, and control over the charging and discharging of energy storage assets. Below is ...

[Get Price](#)



Application scenarios of energy storage battery products

Contact Us

For catalog requests, pricing, or partnerships, please visit:
<https://www.pienaarshof.co.za>

