

## PIENAAR ENERGY (PTY) LTD

# China solar power to battery in ecuador



## Overview

---

Local companies are increasingly integrating Chinese technology to deliver turnkey solar systems, combining modules, inverters, and lithium battery storage — positioning Ecuador as one of the emerging clean energy adopters in Latin America. Ecuador will receive \$1 billion from foreign companies to build new solar power plants and battery storage by 2026. This news comes directly from Ecuador's government after the country suffered long blackouts in 2023 and 2024. Those blackouts happened because Ecuador relies too much on hydropower. A pivotal green energy forum took place on May 9 in Quito, the capital of Ecuador. It was co-hosted by the POWERCHINA Ecuador Representative Office, Huawei, the Global Energy Interconnection Development and Cooperation Organization (GEIDCO), and the Ecuador Energy Forum Organization. By leveraging solar energy and advanced energy storage systems. In 2025, Ecuador's imports under HS Code 8541430000 — covering solar panels and photovoltaic modules — have grown notably, signaling the country's sustained investment in renewable energy infrastructure. 79 million, across 1,848. Amid rising electricity prices and unreliable grid access—especially in rural and coastal areas—more homeowners and businesses are turning to solar battery storage systems to ensure energy reliability and long-term cost savings. With high solar irradiance levels ranging from 4. <sup>1</sup> Especially during the presidency of Rafael Correa, the public sector has.

## China solar power to battery in ecuador



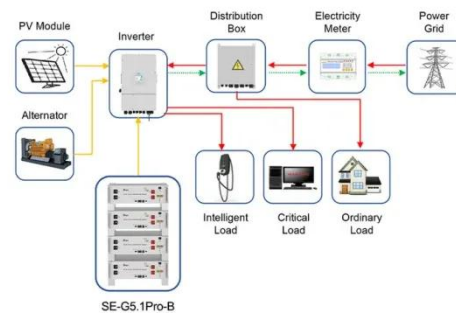
### Ecuador Solar Battery Companies & Energy Storage Solutions

GSL ENERGY provides a wide range of lithium solar batteries and lithium-ion solar battery systems, tailored to Ecuador's diverse climate zones. These systems are engineered to withstand ...

[Get Price](#)

### PowerChina dona proyecto fotovoltaico en Ecuador

La firma del acuerdo de donación y entrega del panel solar se llevó a cabo en un acto en Quito, con la presencia de autoridades ecuatorianas, de la Embajada china y de PowerChina.



Application scenarios of energy storage battery products

[Get Price](#)

### DETAILS AND PACKAGING



- 1 USER MANUAL PDF
- 2 RJ45 Cable For RS485/CAN
- 3 Battery in Parallel Cables
- 4 RJ45 TO USB Monitor Cable
- 5 M8 Terminal\*4

### Ecuador Secures \$1 Billion to Fix Its Power Problems with Solar

Ecuador will receive \$1 billion from foreign companies to build new solar power plants and battery storage by 2026. This news comes directly from Ecuador's government after the country ...

[Get Price](#)

## Ecuador's 2025 Solar Panel Imports Surge Amid Expanding

...

Local companies are increasingly integrating Chinese technology to deliver turnkey solar systems, combining modules, inverters, and lithium battery storage -- positioning Ecuador as one of the ...

[Get Price](#)



## Virtual Power Plants: Integrating Residential Battery Storage in Ecuador

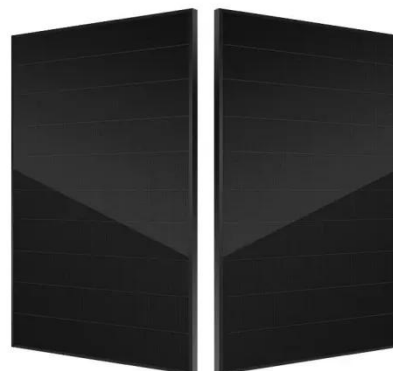
Virtual Power Plants are reshaping Ecuador's energy sector by integrating residential battery storage and solar energy. With benefits like cost savings, grid stability, and sustainability, ...

[Get Price](#)

## China's Investment in Energy in Ecuador

With a country highly motivated to improve infrastructure and energy access, it is small wonder China has become so invested in the energy projects across Ecuador. These infrastructure ...

[Get Price](#)



**POWERCHINA co-hosts clean**

## energy forum in Ecuador

A pivotal green energy forum took place on May 9 in Quito, the capital of Ecuador. It was co-hosted by the POWERCHINA Ecuador Representative Office, Huawei, the Global Energy Interconnection ...

[Get Price](#)



## Ecuador to receive \$1 billion foreign investment linked to renewable

The investment includes \$400 million from Power China and \$600 million investment that will come from the Spanish renewable energy group Cox Energy.

[Get Price](#)



## Ecuador Secures \$1 Billion To Fix Its Power Problems With Solar And

Chinese company Power China will invest \$400 million in more renewable energy and storage projects. The details of these projects will be worked out as they move forward.

[Get Price](#)



## Contact Us

For catalog requests, pricing, or partnerships, please visit:  
<https://www.pienaarshof.co.za>

