

PIENAAR ENERGY (PTY) LTD

**Can the angle of the solar
mount be changed**



Overview

An adjustable mount allows the angle (tilt) of solar panels to be manually or automatically changed throughout the year. A correctly tilted system can improve efficiency by 5–10% annually, reducing payback time and boosting long-term savings. In this guide, we'll break down. This guide breaks down the best angles, how they work with the sun's path, and practical tips to set up your panels smartly. This can vary depending on your north-south location, but it generally ranges from 30-45 degrees for. The optimal roof angle for solar panels balances sun exposure with seasonal shifts, roof constraints, and installation costs.

Can the angle of the solar mount be changed



Best Angle And Orientation For Solar Panels - Forbes Home

Typically, an ideal angle for your solar panels will be equal or close to the latitude of your home. However, proper solar panel angle will fluctuate over the course of the year. For summer

[Get Price](#)

Optimal Roof Angle for Solar Panels: A Practical Guide to Performance

Solar energy output hinges on how panels are tilted and oriented, making the roof angle a critical design choice. The optimal roof angle for solar panels balances sun exposure with seasonal ...



[Get Price](#)



What is the ideal angle for mounting solar panels?-sic-solar

Solar panel mounting systems typically come in two forms: fixed or adjustable. A fixed mount keeps the panels at a consistent angle year-round, while an adjustable mount allows for ...

[Get Price](#)

What's the Best Angle for Solar Panels to Get Maximum Output?

When looking for the right tilt for your solar panels, the latitude rule works in most cases. However, if you live in locations beyond 30-45 degrees, or you want the most precise orientation ...

[Get Price](#)



Solar Angle Secret: Are Your Panels Tilted Right?

Changing the tilt angle is, therefore, basically about trying to keep the panel surface as close to perpendicular to the sun's light as practical throughout the day and year. Although direct ...

[Get Price](#)

What is the best angle for solar panels - Expert Tips

Panels tilted closer to vertical can grab more low winter sun, while a flatter angle works better in summer. If adjusting isn't your thing, just stick with the latitude rule and you'll still get solid ...

[Get Price](#)



Best Angle for Solar Panels: How to Maximize Sunlight

Ground-mounted panels offer even greater flexibility, as they can be



adjusted manually based on seasonal changes. This adaptability allows panels to maintain the ideal angle all year, ...

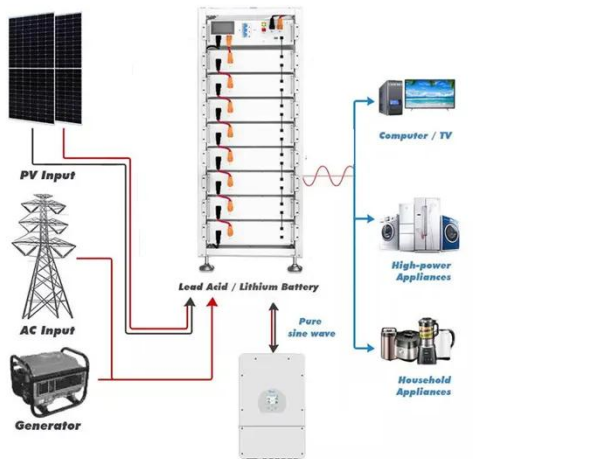
[Get Price](#)

Solar Panel Best Angle , Tilt & Orientation Guide 2025

An adjustable mount allows the angle (tilt) of solar panels to be manually or automatically changed throughout the year. Adjustments can be made seasonally (e.g., every few months) or ...



[Get Price](#)



Solar Tilt Angle: How To Find The Best Panel Position

Once you know your local declination, you can adjust your panels accordingly to ensure they face true south or true north. If you live in San Diego, California, the magnetic declination is ...

[Get Price](#)

Best Angle for Solar Panels to Maximize Efficiency -- Exactus Energy

With ground-mounted solar systems, you

can move the panels around however you want. These setups let owners change both the tilt angle and the orientation without worrying about ...

[Get Price](#)



Contact Us

For catalog requests, pricing, or partnerships, please visit:
<https://www.pienaarshof.co.za>

