

**PIENAAR ENERGY (PTY) LTD**

# **Belarus off-grid bess cabinet 15mwh**



## Belarus off-grid bess cabinet 15mwh

---



### Outdoor cabinet C& I BESS

This product integrates a power conversion system (PCS), batteries, a battery management system (BMS), thermal management, power distribution, and fire protection, adopts single-serial design, and ...

[Get Price](#)

---

### Microgrid-Ready All-in-One BESS Cabinet-AI-BESS Technology

Microgrid-Ready All-in-One BESS Cabinet  
The product is an all-in-one microgrid ready battery energy storage system, tightly integrating batteries, BMS, PCS, air conditioning, and fire protection systems. ...



[Get Price](#)

---



### Belarus Battery Energy Storage System Project: Powering a ...

Why Belarus is Investing in Battery Energy Storage Systems Belarus has emerged as a key player in Eastern Europe's renewable energy transition, with its battery energy storage system (BESS) ...

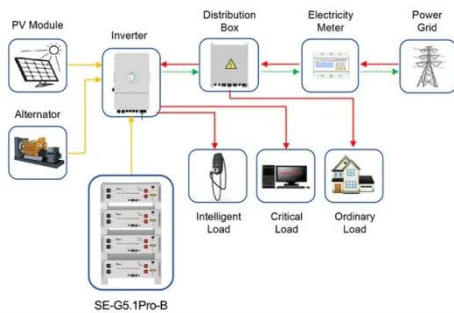
[Get Price](#)

## Off Grid on Grid 215KWH BESS Liquid Cooling Style BESS Lithium ...

Off Grid on Grid 215KWH BESS Liquid Cooling Style BESS Lithium Power Storage Cabinet for Commercial Solar System



[Get Price](#)



Application scenarios of energy storage battery products

## Comparison of 15mwh solar energy storage cabinet cabinet

All-in-One Energy Storage Cabinet & BESS Cabinets , Modular, Featuring lithium-ion batteries, integrated thermal management, and smart BMS technology, these cabinets are perfect for ...

[Get Price](#)

## All-in-One Energy Storage Cabinet & BESS Cabinets , Modular, ...

AZE's All-in-One Energy Storage Cabinet & BESS Cabinets offer modular, scalable, and safe energy storage solutions. Featuring lithium-ion batteries, smart BMS, and thermal management, they're ideal ...



[Get Price](#)

## BESS Cabinet



A BESS cabinet (Battery Energy Storage System cabinet) is no longer just a "battery box." In modern commercial and industrial (C& I) projects, it is a full energy asset --designed to reduce electricity ...

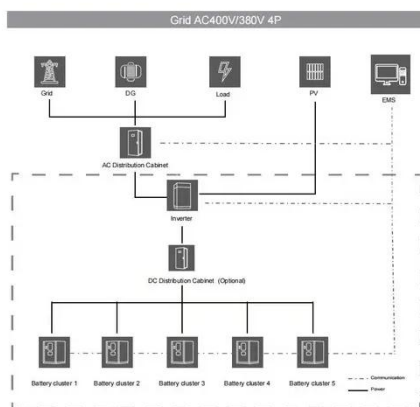
[Get Price](#)

## Cabinets and racks - KonkaEnergy

KonkaEnergy Cabinets & Racks Collection - Engineered for secure and efficient energy storage, our battery cabinets and racks provide robust solutions for commercial and industrial applications. ...



[Get Price](#)



## Battery Energy Storage for Off-Grid Applications

The implementation of battery energy storage systems in the of-grid sector offers numerous benefits, including optimized power generation, load management, enhanced energy resiliency, and ...

[Get Price](#)

## AZE BESS Cabinets

Our dual bay module increases usable energy and can scale up to 48 cabinets

in on and off-grid connected applications. These systems are designed with the same MPPT technology and leading ...

[Get Price](#)



---

## Contact Us

For catalog requests, pricing, or partnerships, please visit:  
<https://www.pienaarshof.co.za>

