

PIENAAR ENERGY (PTY) LTD

Battery energy storage safety distance



Battery energy storage safety distance



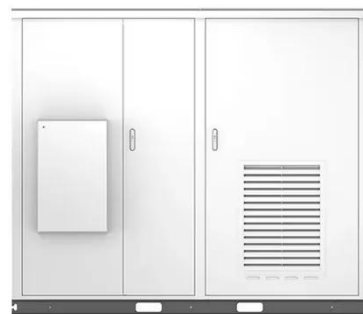
Battery Energy Storage Systems: The Critical Role of Site Layout in

Wärtsilä, a global leader in innovative technologies for energy markets, recommends approximately 10 feet between containers for ease of maintenance and to ensure workers and firefighters can move ...

[Get Price](#)

Battery Energy Storage: Blueprint for Safety

This Blueprint for Safety fact sheet provides a comprehensive framework that presents actionable and proven solutions for advancing safety at the national, state, and local level.



[Get Price](#)



National Fire Protection Association BESS Fact Sheet

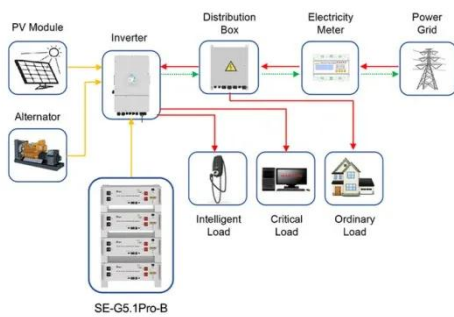
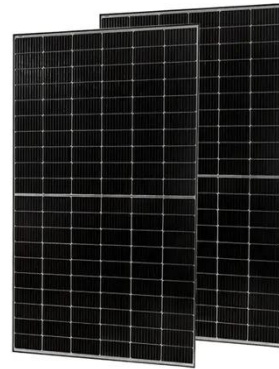
ESS units should be grouped into small segments limited to certain kilo-watt hours (kWh) and spaced from other segments and walls to prevent horizontal propagation.

[Get Price](#)

EG4 BESS Spacing

The following document clarifies BESS (Battery Energy Storage System) spacing requirements for the EG4 WallMount batteries / rack mount six slot battery cabinet installations.

[Get Price](#)



Application scenarios of energy storage battery products

Essential Safety Distances for Large-Scale Energy Storage Power

Discover the key safety distance requirements for large-scale energy storage power stations. Learn about safe layouts, fire protection measures, and optimal equipment spacing to ...

[Get Price](#)

Safety Distance of Energy Storage Containers: What You Need to Know

Let's talk about the safety distance of energy storage containers - the unsung hero of renewable energy systems. Spoiler: It's not just about avoiding fireworks.

[Get Price](#)



Siting and Safety Best Practices for Battery Energy Storage Systems



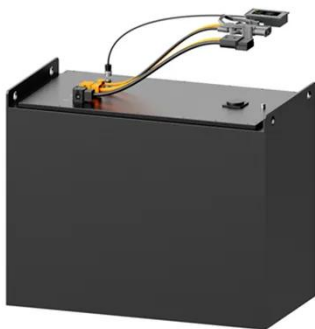
The safety plan should include: hazard detection systems; means of protecting against incipient fires; and ventilation and/or cooling strategies for protecting against thermal runaway, fires, and explosions.

[Get Price](#)

Validating Safe Separation Distances for Lithium-Ion Battery

An analysis of fire risks from lithium-ion battery products to inform safe separation distance recommendations using data, case studies, and modeling.

[Get Price](#)



Battery Energy Storage Systems: Main Considerations for Safe

Ensure use of Personal Protective Equipment (PPE) including self-contained breathing apparatuses to protect against hazardous air emissions. Set an isolation zone for large commercial ...

[Get Price](#)

Energy Storage Safety Distance Requirements: What You Need ...

Your Next Move While regulations catch up with innovation, here's a pro tip: Treat energy storage safety distance requirements like your smartphone's charging cable - regularly check for updates, expect ...

[Get Price](#)



Contact Us

For catalog requests, pricing, or partnerships, please visit:
<https://www.pienaarshof.co.za>

