

PIENAAR ENERGY (PTY) LTD

Are there batteries in the Burundi energy storage battery



Overview

Burundi's first grid-scale lithium-ion storage system (20MW/80MWh) came online in Q1 2025, stabilizing voltage for 400,000 households. These aren't just oversized phone batteries - we're talking about: Imagine if these systems could pay for themselves within 5 years through peak shaving alone. Here's where energy storage batteries step in: Off-grid power stability: 65% of rural areas lack consistent electricity access. Solar integration: Solar adoption grew by 28% in 2023, but storage is critical for nighttime use. Cost savings: Businesses reduce diesel generator expenses by up to 40%. storage facility is rated at 770 MW/3,080 MWh. The largest bat Energy Storage Project, Tehachapi, California. The Battery Buffet: Lithium vs. Flow Batteries While lithium-ion batteries play the pop star of energy storage (everyone wants a piece), flow batteries are the jazz musicians - less flashy but perfect for long grid. This article explores their reliability, challenges, and real-world applications while addressing renewable energy integration and local infrastructure needs.

Are there batteries in the Burundi energy storage battery



BURUNDI ENERGY STORAGE BATTERY PRICES

The cost of a 10 MWh (megawatthour) battery storage system is significantly higher than that of a 1 MW lithiumion battery due to the increased energy storage capacity.

[Get Price](#)

Powering Burundi: Sustainable Energy Generation and Storage

...

Energy Storage: The Game-Changer for Renewable Integration Think of energy storage as a rechargeable battery for the national grid. When paired with Burundi's abundant solar resources, ...



[Get Price](#)



BURUNDI ENERGY STORAGE BATTERY PROJECT

This pioneering project is set to transform industrial energy use by replacing polluting diesel generators with a large-scale battery storage system powered by solar energy.

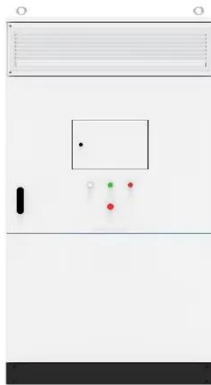
[Get Price](#)

BURUNDI ENERGY STORAGE BATTERY CHARACTERISTICS ...

Electricity storage is crucial for power systems to achieve higher levels of renewable energy penetration. This is especially significant for non-interconnected island (NII) systems, which are electrically ...



[Get Price](#)



Burundi's Energy Revolution: How Storage Power Stations Are ...

Burundi's first grid-scale lithium-ion storage system (20MW/80MWh) came online in Q1 2025, stabilizing voltage for 400,000 households. These aren't just oversized phone batteries - we're talking about:

[Get Price](#)

Is Burundi's Distributed Energy Storage Reliable? Key Insights

We specialize in renewable energy storage systems for off-grid and microgrid applications across Africa. With 15+ years of experience, our tailored solutions combine solar, wind, and advanced lithium-ion ...



[Get Price](#)

Burundi Precision Energy

Storage: Powering Africa's Energy Revolution

With Burundi precision energy storage solutions gaining momentum, this East African nation is rewriting the rules of sustainable power management. Let's unpack why energy storage isn't ...

[Get Price](#)

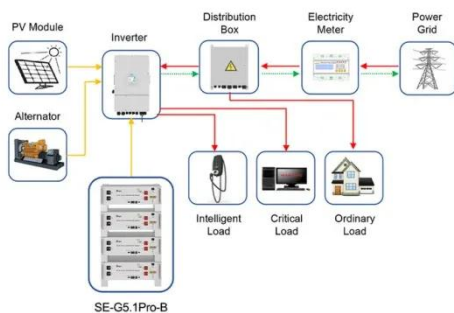


Battery renewable energy Burundi

ustry with tremendous potential. As of 2020, Burundi consumes a total of 382.70 million kilowatt hours (Wh) of electric energy per year. The country produces locally 69% of the electricity it consumes, with ...



[Get Price](#)



Application scenarios of energy storage battery products

Burundi energy storage battery characteristics

Energy Storage Project, Tehachapi, California. A battery energy storage system (BESS) or battery storage power station is a type of energy storage technology that uses a group of batteries to store ...

[Get Price](#)

Burundi Local Energy Storage Battery Brand Powering a Sustainable ...

This article explores the rising importance of local energy storage battery brands in Burundi, their applications, and how innovative technologies like those from EK SOLAR are shaping the market.

[Get Price](#)



Contact Us

For catalog requests, pricing, or partnerships, please visit:
<https://www.pienaarshof.co.za>

