

PIENAAR ENERGY (PTY) LTD

Agriculture-wind hybrid wind power generation



Agriculture-wind hybrid wind power generation



AgriConnect , World Bank Group

AgriConnect is a World Bank Group initiative to transform smallholder farming, create jobs, and strengthen global food security.

[Get Price](#)

The Path to Smart Farming: Innovations and Opportunities in

Precision agriculture employs cutting-edge technologies to increase agricultural productivity while reducing adverse impacts on the environment. Precision agriculture is a farming ...



[Get Price](#)



Assessment of a Hybrid (Wind-Solar) System at High-Altitude Agriculture

Power generation from hybrid renewable energy systems is gaining popularity worldwide, especially in developing countries suffering from electricity crises. Small-scale hybrid wind and solar

[Get Price](#)

Agriculture , Aims & Scope

About Agriculture Aims Agriculture (ISSN 2077-0472) is an international, scholarly and scientific open access journal publishing peer-reviewed research papers, review articles, communications and short ...

[Get Price](#)



Artificial Intelligence and Digital Agriculture

Section Information The section Artificial Intelligence and Digital Agriculture aims to advance scientific knowledge and innovation in the application of information technologies to agriculture. It serves as an ...

[Get Price](#)

Agriculture , 2025

Agriculture, an international, peer-reviewed Open Access journal.

[Get Price](#)



Hybrid Solar-Wind Systems Are Revolutionizing European Agriculture

Harness nature's dual power sources



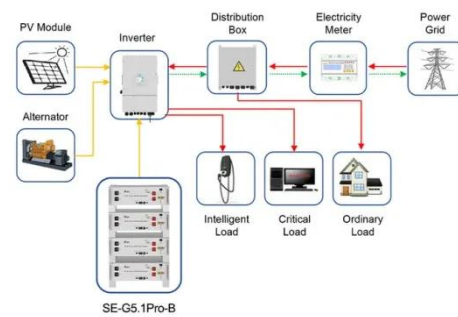
through innovative hybrid solar-wind systems that revolutionize sustainable energy generation across European landscapes. This integrated approach ...

[Get Price](#)

Agriculture , An Open Access Journal from MDPI

Agriculture is an international, peer-reviewed, open access journal published semimonthly online. Open Access -- free for readers, with article processing charges (APC) paid by authors or their institutions.

[Get Price](#)



Application scenarios of energy storage battery products



Integrated Hybrid Renewable Energy System Optimization for

The review also underscored the importance of further research into hydrogen storage technologies as an energy storage in renewable energy systems. Consequently, the purpose of this paper is ...

[Get Price](#)

Triboelectric-electromagnetic hybrid wind energy harvesting

and

The power supply for numerous small electronic sensors, which are extensively used in agricultural settings, is a critical challenge for advancing the Agricultural Internet of Things (IoT) and fostering ...

[Get Price](#)



Design and Optimization of a Hybrid Solar-Wind ...

The climate crisis and energy price increases make energy supply a crucial parameter in the design of greenhouses.

[Get Price](#)

Agriculture Overview: Development news, research, data , World ...

Agriculture can help reduce poverty for 75% of the world's poor, who live in rural areas and work mainly in farming. It can raise incomes, improve food security and benefit the environment. ...

[Get Price](#)



Sustainable Practices for Enhancing Soil Health and Crop Quality ...

Soil health is the cornerstone of



sustainable agriculture, serving as the foundation for crop productivity, environmental resilience, and long-term ecosystem stability. Contemporary agricultural ...

[Get Price](#)

Hybrid Renewable Energy System for Agriculture Irrigation

Abstract: Hybrid (Solar & Wind) renewable power system can be used to preserve the non-renewable fossil fuels. The Photovoltaic-wind hybrid system profits the lowest unit cost values to sustain the ...



[Get Price](#)



Optimizing power generation in a hybrid solar wind energy

The rising demand for renewable energy has recently spurred notable advancements in hybrid energy systems that utilize solar and wind power. The Hybrid Solar Wind Energy System (HSWES) ...

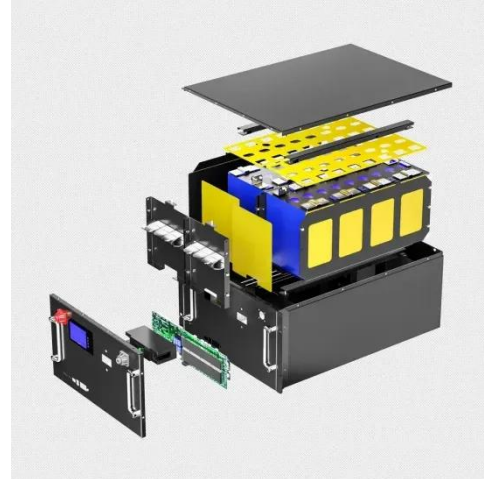
[Get Price](#)

Hybrid Wind-Solar Self-Powered Detector System

Using a ...

The growth of crops is affected by factors such as temperature, humidity, and salinity, so it is critical to monitor these indicators through detectors in smart agriculture. Collecting renewable energy in the ...

[Get Price](#)



A Wind-Solar Hybrid Energy Harvesting Approach Based on Wind ...

For the practical application environment of smart agriculture, wind-solar hybrid energy harvesting technology is a good choice to improve the generation power and the survivability of self-powered devices [18].

[Get Price](#)

Assessment of Wind and Solar Hybrid Energy for Agricultural

This paper presents a techno-economic assessment of wind-solar hybrid generation for a water-pumping system for small-scale irrigation projects. A comprehensive framework is presented which ...

[Get Price](#)



Agriculture , Stats NZ

Agriculture Agricultural statistics give



you information about farming, horticulture, and forestry in New Zealand. These statistics are used to monitor trends in the industry, feed into a range ...

[Get Price](#)

Contact Us

For catalog requests, pricing, or partnerships, please visit:
<https://www.pienaarshof.co.za>

