

PIENAAR ENERGY (PTY) LTD

Afghanistan household solar power generation



Afghanistan household solar power generation



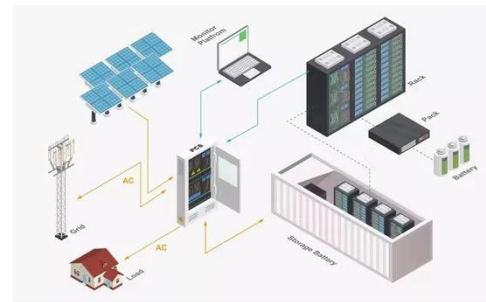
AFGHANISTAN SOLAR PANELS POWER

Afghanistan has the potential to produce over 222,000 MW of electricity by using solar panels. [2] [7] The use of solar power is steadily increasing throughout country. [20] [21] [5] [4] [22] [3] [23] ...

[Get Price](#)

(PDF) Energy Production Potential of Afghanistan: ...

Afghanistan's renewable energy resource potential, including solar, hydro, wind, geothermal, and biomass power, exceeds 300,000 MW.



[Get Price](#)



How Sustainable Energy is Lighting the Future of Afghanistan

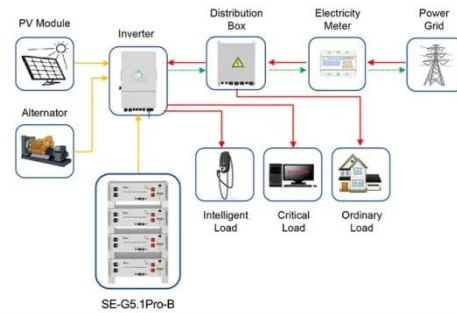
This shift to renewable energy is also a commitment to Afghanistan's environmental future. The widespread adoption of solar panels is reducing harmful emissions and cutting energy costs.

[Get Price](#)

Kabul solar farm: 20 MW Project Aims to Power Homes

UNDP Inaugurates 20 MW Solar Farm Near Kabul In a significant step towards enhancing energy security and promoting sustainable development in Afghanistan, the United Nations ...

[Get Price](#)



Application scenarios of energy storage battery products



World Bank Document

Actors working in the energy and electricity sector that shape household and enterprise energy patterns include the Afghanistan government - the Ministry of Energy and Water (MEW) along ...

[Get Price](#)

Afghanistan Energy Transition Overview , ETP

Explore Afghanistan's energy landscape, transition challenges, and opportunities for sustainable and resilient energy development. Learn more.

[Get Price](#)



The Impact of Solar Photovoltaic on Afghanistan's Rural ...

With an average of 300 sunny days per year, Afghanistan possesses substantial

potential for solar energy generation, which is increasingly being recognized as a transformative solution for ...

[Get Price](#)



AGV , Afghan Global Ventures

Solar energy offers a cost-effective, sustainable solution to these challenges.

- High solar irradiance: Afghanistan receives an average of 6.5 kWh/m²/day of solar energy, making it ideal for solar power ...

[Get Price](#)



Afghanistan home solar panel system

What are the biggest solar projects in Afghanistan? acilities in Bamyan and Badakhshan. Solarization of 80 Health Facilities for Kinderhilfe Afghanistan in Nangarhar, Kunar and Laghman. 340 kW HP/PV ...

[Get Price](#)

Solar Home Systems , Renewables in Afghanistan

Solar energy holds huge potential for electricity as well as heat generation in

Afghanistan. This energy potential can be harnessed in many ways - from small, inexpensive and decentralized solutions like ...

[Get Price](#)



Contact Us

For catalog requests, pricing, or partnerships, please visit:
<https://www.pienaarshof.co.za>

