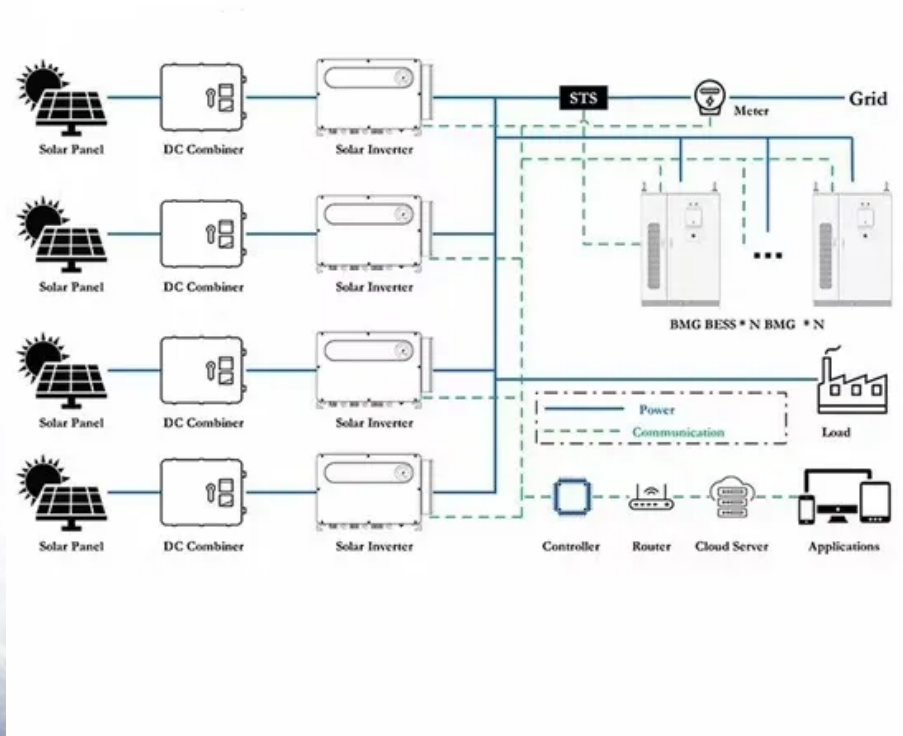


PIENAAR ENERGY (PTY) LTD

Abu Dhabi solar container communication station wind and solar complementary cabinet price



Overview

Recent pricing trends show 20ft containers (1-2MWh) starting at \$350,000 and 40ft containers (3-6MWh) from \$650,000, with volume discounts available for large orders. Receive exclusive pricing alerts, new product launches, and industry insights - no spam, just valuable content. Summary: Looking for container generator prices in Abu Dhabi?

This guide breaks down cost factors, market trends, and practical tips for commercial/industrial buyers. Discover how power requirements, fuel types, and smart technology impact pricing. What's driving this boom?

Not all containers are created equal. Here's what matters most in Abu Dhabi's harsh environment: Pro tip: Look for solutions with. With 72% growth in UAE's energy storage market projected by 2027 (Gulf Energy Report 2023), containerized solutions address three critical regional needs: A 20MW container storage system now balances solar output variations, reducing diesel consumption by 40,000 liters monthly. To cope with the problem of no or difficult grid access for base stations, and in line with the policy trend of energy saving and emission reduction, Huijue Group has launched an. What is a waterproof outdoor Telecom cabinet?

The IP65 Waterproof Outdoor Telecom Cabinet is perfect for use in outdoor telecom base stations, smart micro data centers, and any other outdoor locations where protection of sensitive equipment is critical. Its robust design ensures reliable performance. (Updated October 2024) About 35km south of Abu Dhabi City. Lowest solar energy tariff in the world - AED4. Phase I completed in 2013, followed by Phase II and III.

Abu Dhabi solar container communication station wind and solar co



How many stations are there in the Abu Dhabi solar container

How many solar panels are there in Abu Dhabi? There are 3.2 million solar panels on the roof. The plant is believed to provide clean energy to 90,000 Abu Dhabi residents. It cleans the solar panels with ...

[Get Price](#)

Energy Storage Equipment, Energy storage solutions, Lithium ...

The solution adopts new energy (wind and diesel energy storage) technology to provide a reliable guarantee for the stable operation of communication base stations.



[Get Price](#)

HEAT DISSIPATION

Cold aisle containment, making optimal refrigeration effect:



Abu Dhabi Energy Storage Container: Powering Sustainable Futures ...

As Abu Dhabi accelerates its transition to clean energy, innovative energy storage containers are emerging as game-changers. Discover how these modular power solutions are reshaping energy ...

[Get Price](#)

BATTERY CABINETS IN UAE DUBAI SHARJAH AND ABU DHABI

What is a waterproof outdoor Telecom cabinet? The IP65 Waterproof Outdoor Telecom Cabinet is perfect for use in outdoor telecom base stations, smart micro data centers, and any other outdoor ...



[Get Price](#)



Abu Dhabi Container Generator Set Prices: Key Factors and Market

Summary: Looking for container generator prices in Abu Dhabi? This guide breaks down cost factors, market trends, and practical tips for commercial/industrial buyers. Discover how power requirements, ...

[Get Price](#)

Abu Dhabi's Containerized Energy Storage: Powering Sustainable ...

As global energy demands evolve, Abu Dhabi's innovative container energy storage systems are redefining how industries manage power reliability and renewable integration. This article explores ...



[Get Price](#)



Abu Dhabi communication base station wind and solar complementary

Integrated Solar-Wind Power Container for Communications This large-capacity, modular outdoor base station seamlessly integrates photovoltaic, wind power, and energy storage to provide ...

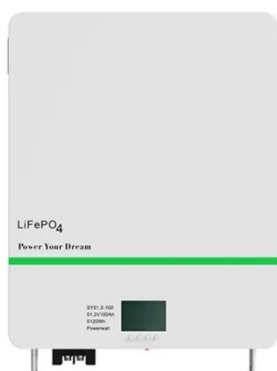
[Get Price](#)

COMMUNICATION BASE STATION WIND AND SOLAR COMPLEMENTARY

The average price of monocrystalline solar modules is currently around \$0.278 per watt (with prices ranging from \$0.265 to \$0.455 per watt), while the equivalent monocrystalline prices have fallen to an ...



[Get Price](#)



Abu Dhabi solar container communication station inverter grid ...

The Lightning Project will replace the existing offshore turbine generators with cleaner and more sustainable onshore power sources from Abu Dhabi, such as solar panels and local nuclear power.

[Get Price](#)

POWER STATION IN ABU DHABI UNITED ARAB EMIRATES

Technological advancements are dramatically improving solar storage container performance while reducing costs. Next-generation thermal management systems maintain optimal operating ...

[Get Price](#)



Contact Us

For catalog requests, pricing, or partnerships, please visit:
<https://www.pienaarshof.co.za>

