

PIENAAR ENERGY (PTY) LTD

5MWh Distribution and Energy Storage Cabinet for Sale

Scooter battery

The battery is installed in the pedal



Built-in battery in car beam

The battery is installed in the car beam



Pack the battery in the box

This the battery installation box, replace the battery core without changing the shell



Ebike battery



5MWh Distribution and Energy Storage Cabinet for Sale

- LIQUID/AIR COOLING
- INTELLIGENT INTEGRATION
- PROTECTION IP54/IP55
- BATTERY /6000 CYCLES



5MWh Energy Storage System Manufacturer & Supplier , Wenergy

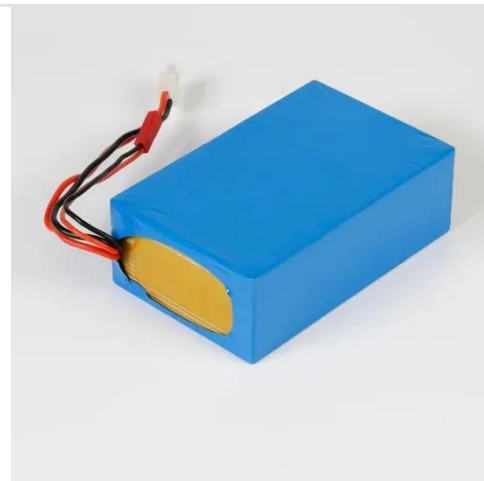
High-quality 5MWh energy storage systems, certified to international standards and trusted in 160+ countries. End-to-end service, from pre-sale consultation to after-sales support.

[Get Price](#)

Liquid Cooling BESS Outdoor Cabinet 5MWH All in One Container ...

We take pride in offering high efficiency solar panels, top-quality solar inverter and solar battery, advanced integrated solar systems, and valuable energy storage solutions to our customers.

[Get Price](#)



5MWh Energy Storage Container System

5000kWh lithium-ion battery for reliable, long-term energy storage and backup, ensuring seamless power supply during peak hours or outages. IP54-rated housing with robust weather resistance, built ...

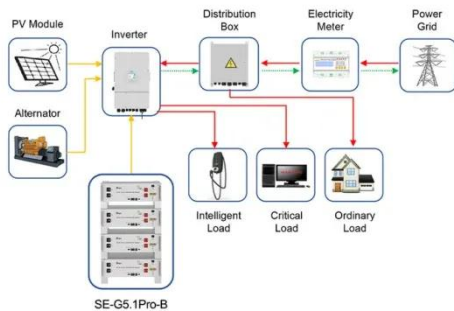
[Get Price](#)

5MWh Containerized Energy Storage System

Product features(Containerized Energy Storage System): Low energy consumption, long life, high consistency, high stability. Application scenarios: photovoltaic power plants, wind power stations, ...



[Get Price](#)



Application scenarios of energy storage battery products

5MWh Pre-made Energy Storage Cabin - Yupont

Pre-installed battery cells, transported as a complete cabinet, no on-site installation Independent PACK maintenance window, providing easy maintenance and high efficiency

[Get Price](#)

All-in-One Energy Storage Cabinet & BESS Cabinets , Modular, ...

Featuring lithium-ion batteries, integrated thermal management, and smart BMS technology, these cabinets are perfect for grid-tied, off-grid, and microgrid applications. Explore reliable, and IEC ...



[Get Price](#)

CTECHI 5MWh Liquid-Cooled Energy Storage DC Cabin



The 5MWh 20 Liquid-Cooled Energy Storage DC Cabin is a high-performance energy storage solution designed for large-scale applications, including renewable energy integration, peak shaving, and ...

[Get Price](#)

Falcon 5MWh container

High-quality 5MWh energy storage systems, certified to international standards and trusted in 160+ countries. End-to-end service, from pre-sale consultation to after-sales support.



[Get Price](#)



Soundon New Energy 5MWh Container Energy Storage System

The 5MWh container energy storage system is a super cool solution that seamlessly combines different parts, like a Lithium iron phosphate battery, Battery Management System, Gaseous Fire Suppression ...

[Get Price](#)

Energy Storage Enclosures/Cabinets , Modular Design to Meet ...

Our battery storage cabinets are constructed with a modular design, providing optimal flexibility for businesses across various sectors. Our power storage cabinets also adhere to safety and quality ...

[Get Price](#)



Contact Us

For catalog requests, pricing, or partnerships, please visit:
<https://www.pienaarshof.co.za>

