

**PIENAAR ENERGY (PTY) LTD**

# **545w solar panel operating voltage**



## Overview

---

For a 545W solar panel, the operating voltage typically falls between 40 to 45 volts when assessed under standard testing conditions (STC). What is the voltage of a 545w solar panel?

1. A 545W solar panel typically operates at approximately 40-45 volts under standard test conditions (STC), 1, a voltage range that optimally supports grid-tied or off-grid systems, 2, and this range can vary based on temperature, 3, which affects the. The solar industry has witnessed a remarkable evolution in 2025, with 545 watt solar panels emerging as a high-performance option for maximizing energy production. These high-efficiency modules represent a significant leap from traditional 300-400W panels, offering homeowners and businesses the. TS62941: Guideline for module design qualification and type approval ISO 45001: 2018: Occupational Health and Safety 1 TS62941: Guideline for module design qualification and type approval ISO 45001: 2018: Occupational Health and Safety 1. ONGi Complete System and Product Certifications IEC 61215. Note: Your Enquiry will be sent directly to Sunlike Solar Co. Ningbo Renpower New Materials Technology Co.

## 545w solar panel operating voltage

---



### **Astronergy 525W-545W Solar Panel Specs , PDF**

It details electrical specifications including rated output power, voltage, current, and temperature coefficients at standard and nominal operating conditions. It also lists features such as high output ...

[Get Price](#)

### **Technical Specifications of JA Solar 545W Photovoltaic Panel**

Designed for utility-scale and commercial applications, the JA Solar 545W module operates at 39.52V maximum power voltage ( $V_{mp}$ ) with a 13.85A current ( $I_{mp}$ ). Its open-circuit voltage reaches 48.25V ...



[Get Price](#)



### **TS62941: Guideline for module design qualification and type**

...

Maximum System Voltage Maximum Series Fuse Rating Nominal Operating Cell Temperature Protection Class Bifaciality Fire Rating LONGi DC1500V (IEC/UL) 30A 45±20C Class II 70±50/0 UL ...

[Get Price](#)

## Bluebird 545 Watt Half Cut Solar Panels

A 540W Half-Cut Solar Panel refers to a photovoltaic panel that has a power output of 540 watts and employs a "half-cut" cell design. In a half-cut design, the solar cells on the panel are divided into two ...



[Get Price](#)

 **TAX FREE**    

**Product Model**  
HJ-ESS-215A(100KW/215KWh)  
HJ-ESS-115A(50KW/115KWh)

**Dimensions**  
1600\*1280\*2200mm  
1600\*1200\*2000mm

**Rated Battery Capacity**  
215KWH/115KWH

**Battery Cooling Method**  
Air Cooled/Liquid Cooled



## Ofoq For Solar Power , Jinko 545w

Maximum Power (Pmax): 545 Wp  
Voltage at Maximum Power (Vmpp): 41.07 V  
Current at Maximum Power (Impp): 13.27 A  
Open Circuit Voltage (Voc): 49.65 V  
Short Circuit Current (Isc): 13.94 A  
Panel ...

[Get Price](#)

## How many volts does a 545w photovoltaic panel have

Solar panel voltage -- including measures for open-circuit voltage (VOC) and short circuit current (ISC) -- is important because it determines what your panels can and



[Get Price](#)

## Renpower , 545W Solar Module , Solar Panel ...

Detailed profile including pictures, certification details and manufacturer PDF.

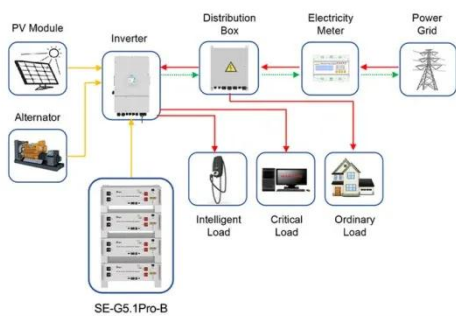
[Get Price](#)



## What is the voltage of a 545w solar panel? , NenPower

For a 545W solar panel, the operating voltage typically falls between 40 to 45 volts when assessed under standard testing conditions (STC). This voltage range is designed to deliver optimal ...

[Get Price](#)



Application scenarios of energy storage battery products

## JA SOLAR 545W SOLAR PANEL

JAM72S30 545/MR FEATURES Maximum Power at STC (Pmax) - 545 W Open Circuit Voltage (Voc) - 49.75 V Optimum Operating Voltage (Vmp) - 41.80 V Short Circuit Current (Isc) - 13.93 A Optimum ...

[Get Price](#)

## 545 Watt Solar Panels: Complete 2025 Buyer's Guide & Review

Comprehensive guide to 545W solar panels including top models,

specifications, installation requirements, and ROI analysis. Compare JA Solar, LONGi & more.

[Get Price](#)



---

## Contact Us

For catalog requests, pricing, or partnerships, please visit:  
<https://www.pienaarshof.co.za>

