

PIENAAR ENERGY (PTY) LTD

30kW Mobile Energy Storage Container for Cement Plants



30kW Mobile Energy Storage Container for Cement Plants

12.8V 100Ah



LZY-MSC1 Sliding Solar Container , Rapid Deployment Energy Storage ...

The LZY-MSC1 Mobile Solar Container is a mobile solar solution based on a standard container design, equipped with core components such as high-efficiency solar panels, storage batteries and inverters ...

[Get Price](#)

30kW Energy Storage Container for Cement Plants

Our home solar PV systems and energy storage products are engineered for reliability, safety, and efficient deployment in Polish conditions. All systems include comprehensive monitoring and control ...

 **TAX FREE**

Product Model
HJ-ESS-215A(100KW/215KWh)
HJ-ESS-115A(50KW/115KWh)

Dimensions
1600*1280*2200mm
1600*1200*2000mm

Rated Battery Capacity
215KWH/115KWH

Battery Cooling Method
Air Cooled/Liquid Cooled



[Get Price](#)



Energy Storage Equipment, Energy storage solutions, Lithium battery

Huijue Group's commercial and industrial energy storage solutions offer capacities ranging from 30 kWh to over 30 MWh. These solutions cover most commercial applications, such as ...

[Get Price](#)

30KW MOBILE ENERGY STORAGE POWERING THE FUTURE ON ...

Leading provider of large-scale photovoltaic power plants, custom folding solar containers, and complete energy storage systems across Southern Africa and international markets.

[Get Price](#)

114KWh ESS



ISO 9001 ISO 14001 PICC RoHS CE MSDS UN38.3 UK CA IEC



30kW mobile energy storage systems , C& I Energy Storage System

That's the magic of container energy storage systems (CESS)--a game-changer in renewable energy. With global energy demand soaring and climate change knocking on our doors, these modular ...

[Get Price](#)

30kWh Mobile Energy Storage Container for Field Operations

Discover SUNLAND"s ESS 30KW 30KWH Energy Storage System, a reliable backup power solution for commercial applications, integrating seamlessly with renewable energy sources.

[Get Price](#)



Outdoor mobile box-type energy storage power plant



Power Station provides a flexible, pre-engineered energy storage solution consisting of a standard ISO container with integrated electrical, mechanical, ...

[Get Price](#)

Comparative Test of 30kW Mobile Energy Storage Container for ...

While cement-based energy storage systems offer distinct advantages in structural integration, continued research and optimization are essential to enhance their cycle life and energy storage ...

[Get Price](#)



MOBIPOWER Battery Energy Storage Systems , Off-Grid Solar ...

MOBIPOWER hybrid clean power containers combine battery energy storage systems with off-grid solar containers for remote industrial sites in Canada & USA.

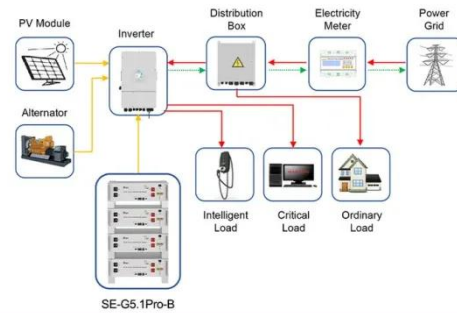
[Get Price](#)

Mobile Energy Storage

Systems

The canopy range of battery-based storage systems is modular, portable, and up to 70% lighter in weight than other battery solutions, and so can easily be moved around site to provide clean and ...

[Get Price](#)



Application scenarios of energy storage battery products



40kWh Smart Photovoltaic Energy Storage Container for Cement ...

40KWh Mobile Foldable Solar Storage Container (10ft) The H10GP-M-30K40 delivers 30kW of solar generation and 40kWh of storage, housed in a 10ft mobile foldable container.

[Get Price](#)

30kW Folding Container for Cement Plants

Stationary, mobile, and compact plants--plus cement silos, feeders, and dosing units. Every system is customizable to match your space, capacity, and automation needs.



[Get Price](#)

Contact Us

For catalog requests, pricing, or partnerships, please visit:

<https://www.pienaarshof.co.za>

