

PIENAAR ENERGY (PTY) LTD

2MW Server Rack for Transmission Nodes Distributor



2MW Server Rack for Transmission Nodes Distributor



kW per Rack Explained: Optimize Colocation Power & Costs

Optimizing kW per rack can lower costs, improve sustainability, and ensure reliable performance. This guide explains why kW/rack matters, how to calculate it, and best practices for ...

[Get Price](#)

Guide to Calculating Power Consumption Costs per Rack in Data ...

Understanding and managing power consumption is crucial for efficient data center operations. Calculating the power cost per rack can help optimize energy usage, reduce expenses, and improve ...



[Get Price](#)



Rackmount Power Distribution Units

A Rackmount Power Distribution Unit (PDU) is essential for managing electrical power in server racks or network cabinets. It offers multiple outlets in one location, ensuring stable power supply to devices ...

[Get Price](#)

Power Distribution Unit (PDU) for Data Centers

Increasing rack power density both in the data center and at the network edge means that reliable power distribution is crucial. Our innovative power distribution units and rack PDUs not only maintain power, ...



51.2V 300AH

[Get Price](#)



Complete Guide for Power Distribution in Servers, Racks, and ...

These devices ensure clean, stable power reaches every server, switch, and storage device in your racks, while offering the monitoring and control capabilities vital for modern data center management.

[Get Price](#)

InfraSuite Modular Server Rack System

Delta is proud to introduce its modular rack cabinet designed for maximum performance, convenience, flexibility and safety in high density IT room environments.



[Get Price](#)

Future-Proofing Data Centers: Preparing for 2MW+ AI Racks

and ...

Organizations preparing now for 2MW+ racks and quantum integration position themselves for competitive advantages as computing transforms. Investment in future-proof infrastructure protects ...

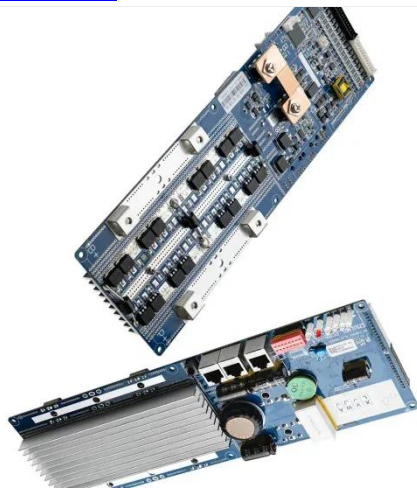
[Get Price](#)



Synaccess Networks

This guide walks you through the different components used in a power redundant server or IT rack. A typical setup includes the power source, the rack PDUs, and the equipment's redundant ...

[Get Price](#)



2025's Best Server Rack Power Units Compared

Compare 2025's top power distribution units for server racks. Discover features, scalability, energy efficiency, and reliability to optimize your IT setup.

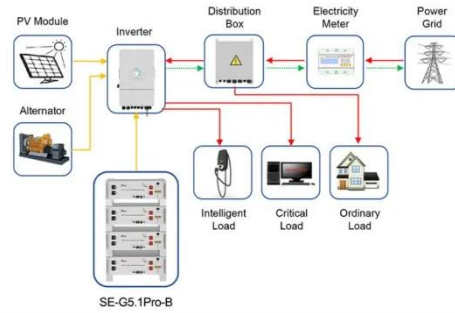
[Get Price](#)

Data Center Server Rack , Rackmount Solutions

Not all server racks are made equal, and one size does not fit all applications. In order to fill the need for all scenarios we

carry air-conditioned, NEMA rated, soundproof cabinets for loud servers, and a wide ...

[Get Price](#)



Application scenarios of energy storage battery products

Contact Us

For catalog requests, pricing, or partnerships, please visit:
<https://www.pienaarshof.co.za>

