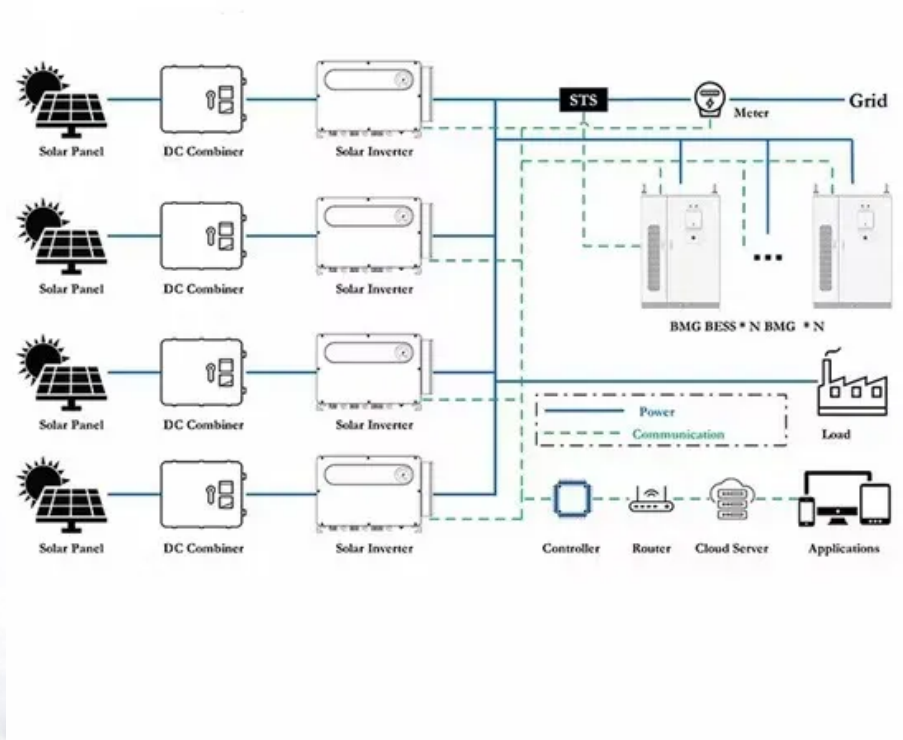


## PIENAAR ENERGY (PTY) LTD

# 2MW Outdoor Communication Cabinets along the Belt and Road



## 2MW Outdoor Communication Cabinets along the Belt and Road

---



### Weatherproof Outdoor Electrical Enclosures , Durable Outdoor ...

Discover AZE Telecom's weatherproof outdoor electrical enclosures and durable outdoor cabinets. Protect your electrical and telecom equipment from harsh environments with our IP-rated, ...

[Get Price](#)

---

### Outdoor Telecom Cabinet , Outdoor Telecom Enclosures , Cube Cabinet

Explore Charles Industries' Outdoor Telecom Cabinets & Enclosures for secure, durable protection of telecom equipment in outdoor environments. Enquire now!



[Get Price](#)

---



### Outdoor Telecom Cabinets

Designed to save deployment cost and time, our innovative solutions include hub collapse, battery backup, composite mounting platforms and modular series cabinets. Modular capability helps future ...

[Get Price](#)

---

## Telecom System Integration and Outdoor Network ...

Westell offers secure, weather-tight outdoor network enclosures to protect electronic equipment for outdoor telecom networks.

[Get Price](#)



## Outdoor Enclosures , NEMA-Rated Telecom Cabinets , IP55, IP65

Perfect for industrial equipment, electrical cabinets, and outdoor installations, our enclosures offer customizable solutions for renewable energy, telecommunications, and more.

[Get Price](#)

## NEMA Outdoor Telecommunications Cabinets , DDB ...

DDB Unlimited manufactures NEMA outdoor cabinets to protect telecommunications, fiber optics, Wi-Fi and other electronics from the outdoors.

[Get Price](#)



## Mission Critical Outdoor Telecom Cabinets , nVent SCHROFF



These cabinets are constructed using high-quality materials and fortified with secure locking mechanisms, tamper-evident seals, and intrusion detection systems to deter unauthorized entry.

[Get Price](#)

---

## Custom Outdoor Communication Cabinets

We specialize in high-precision, weatherproof outdoor communication cabinets engineered for extreme conditions. Our custom designs withstand high temperatures (-40°C to ...



[Get Price](#)



## Outdoor Telecom Cabinets & Enclosures , NEMA-Rated

Our team brings over 36 years of manufacturing experience to every outdoor cabinet project. Whether you're planning a single installation or a large-scale network deployment, we deliver BABA-compliant ...

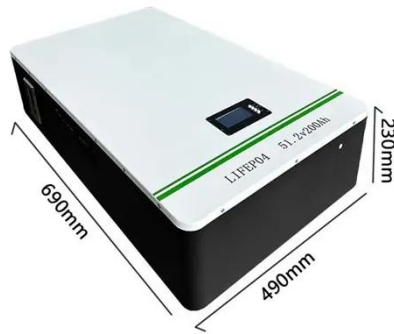
[Get Price](#)

---

## Whisper Cabinet Roadside Telecom Equipment Enclosures

The cabinets are cooled by a powerful air to air heat exchanger system with the ability to dissipate up to 1300W of heat. This uses temperature-controlled DC fans for lowest energy use and lowest possible ...

[Get Price](#)



---

## Contact Us

For catalog requests, pricing, or partnerships, please visit:  
<https://www.pienaarshof.co.za>

