

215kW energy storage equipment



215kW energy storage equipment



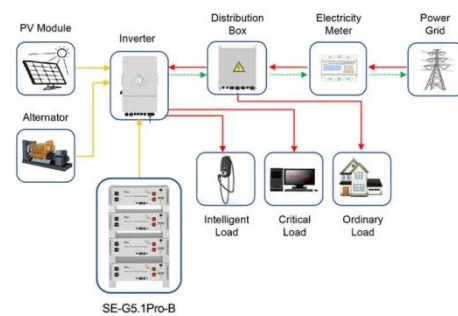
WBB Transfer Portal Targets 2025-2026

The 1.2 turnovers per 30 minutes I calculated only against GT's toughest opponents - North Carolina, Oregon, Nebraska, Louisville, Notre Dame, Duke, NCST (twice), FLA ST, and ...

[Get Price](#)

Commercial Battery Storage 215KWH System from Bonnen Battery

The ESS-100-215 commercial and industrial photovoltaic energy storage system integrates a 60KW MPPT controller module, a 100KW PCS (Power Conversion System), and a 240KW STS (Smart ...



Application scenarios of energy storage battery products

[Get Price](#)



215kWh Commercial & Industrial All-in-one ESS Cabinet

Stars Series 215kWh Cabinet ESS is a smart, modular energy storage system for C& I and microgrid applications. It offers high safety with multi-level BMS and fire protection, efficient thermal ...

[Get Price](#)

Outdoor Cabinet Energy Storage System

The HJ-ESS-215A is a high-performance 100KW/215KWh outdoor cabinet energy storage system featuring fast power response, all-in-one design, intelligent monitoring, and six-layer security design. ...



[Get Price](#)



What a mess! , Iowa Hawkeyes fan forums

His coaching record is 3 years at Lehigh and then back as an assistant for many years at Notre Dame with Digger who was more concerned with how he dressed than how he coached.

[Get Price](#)

WBB Transfer Portal Targets 2025-2026

Kate Koval, 6-5 freshman forward out of Notre Dame, got significant playing time, just entered the portal. Emma Risch, 6-1 guard out of Notre Dame, also entered the portal. Notre Dame ...

[Get Price](#)



MBB: Updated thoughts through Maryland , Iowa Hawkeyes fan ...



OSU vs. Notre Dame - National Championship Thread Eliot Clough The Press Box Replies 14 Views 372 The Press Box Eliot Clough Home Forums Inside ...

[Get Price](#)

The Ultimate Guide to 215kwh Energy Storage Systems

They capture surplus energy generated during peak production times for later use when demand is high. 215kwh ESS can store energy in various forms--electrical, mechanical, or chemical--for later ...



[Get Price](#)



215 kWh Battery ESS for Commercial and Industrial

The 215kWh commercial and industrial energy storage system consists of five 153.6V 43kWh battery modules connected in series. It features a modular rack design with a clear layout, making it easy to ...

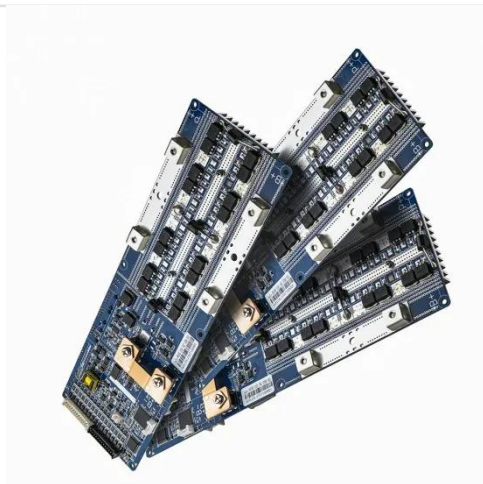
[Get Price](#)

C& I Energon 215kWh String Energy Storage System

Boasting an impressive 90% Depth of

Discharge, 215kWh battery in a single cabinet, our system employs pack-level energy optimization to provide you with a robust and dependable power solution.

[Get Price](#)



China Grid-Scale Energy Storage Industrial and commercial energy

The 215kW industrial and commercial energy storage system is a high-capacity solution tailored for large-scale industrial facilities and data centers. It offers a substantial storage capacity of 215kWh,

...

[Get Price](#)

215KWH HV Energy Storage System Commercial & Industrial BESS

With cooling system ensures higher efficiency and longer battery cycle life. Highly integrated ESS for easy transportation and O& M All pre-assembled, no battery module handling on site. Variety of ...

[Get Price](#)





215kWh Energy Storage System-SHANGHAI SERMATEC ENERGY ...

The 261kWh outdoor energy storage cabinet, model SMT-ESS-CUBE261CE, is designed to meet industrial and commercial energy storage needs.

[Get Price](#)

CEEG 215kWh Air-cooled Energy Storage System

As a tech-driven enterprise, we specialize in advanced transformers, solar energy storage systems, intelligent distribution networks, and hydrogen energy technologies.

[Get Price](#)



Contact Us

For catalog requests, pricing, or partnerships, please visit:
<https://www.pienaarshof.co.za>

