

PIENAAR ENERGY (PTY) LTD

12v solar container lithium battery pack can be connected in series at will



12v solar container lithium battery pack can be connected in series



Can 12V lithium batteries be connected in series?

However, it is essential to understand the technical aspects, potential risks, and take the necessary precautions. By using matched batteries, a proper BMS, and following correct installation ...

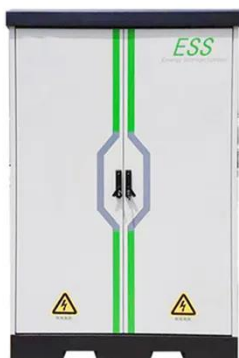
[Get Price](#)

Lithium Solar Batteries Series vs Parallel Connection

When it comes to lithium solar batteries, understanding how to connect them in series and parallel is crucial for achieving the desired performance.



[Get Price](#)



Batteries in Series vs Parallel: Understand The Differences

Discover the key differences between batteries in series vs parallel. Learn how to boost voltage or increase capacity for your specific power needs. Expert tips

[Get Price](#)

Can Solar Batteries Be

Connected in Series?

When to Connect Batteries in Series
 Higher Voltage Systems: If your solar system requires a voltage higher than 12V --for example, 24V or 48V --connecting multiple batteries in ...

[Get Price](#)



Series vs Parallel: Wiring a 12V 100Ah Lithium Battery

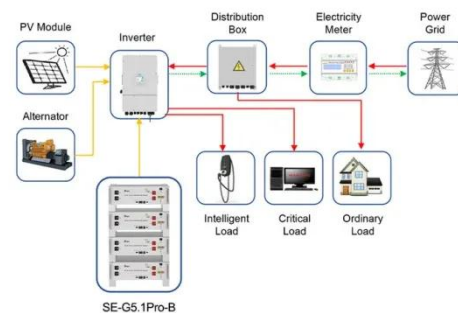
Properly wiring your 12V 100Ah lithium batteries is fundamental to the performance and safety of your solar energy system. The way you connect multiple batteries determines the overall ...

[Get Price](#)

Can a lithium battery pack be used in series?

In solar energy storage systems, for example, multiple lithium battery packs are often connected in series to store the energy generated by solar panels. The higher voltage system can ...

[Get Price](#)



Application scenarios of energy storage battery products

How to Connect Lithium Solar Batteries in Series & Parallel

Connecting lithium solar batteries in series or parallel is essential for

customizing energy storage systems. In a series connection, the voltage increases while the capacity remains the same, ...

[Get Price](#)



Series vs. Parallel: How to Correctly Connect ...

Unlock the ultimate guide to using LiFePO4 lithium batteries in series and parallel. Learn configurations, benefits, and tips for optimal performance!

[Get Price](#)



Can LiFePO4 Batteries Be Connected in Series?

A battery bank of 4 12V LiFePO4 batteries connected in series has to have a nominal voltage of 51.2V and a maximum operating voltage of 58.4V. The main reason series connection is ...

[Get Price](#)

Complete Guide to Wiring Batteries in Series - PowMr

How to wire 12V batteries in series? This guide explains voltage, amp-hours, precautions, pros& cons, and steps for

reliable series battery connections.

[Get Price](#)



Contact Us

For catalog requests, pricing, or partnerships, please visit:
<https://www.pienaarshof.co.za>

