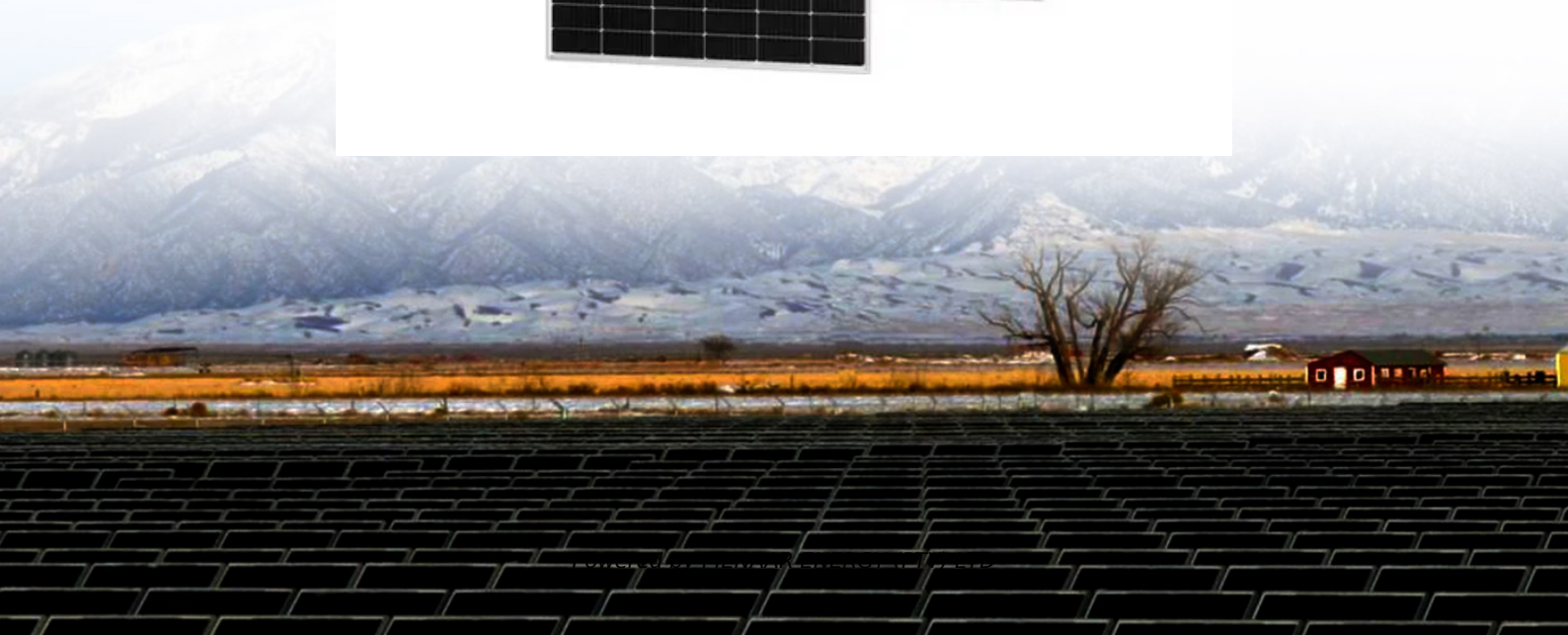
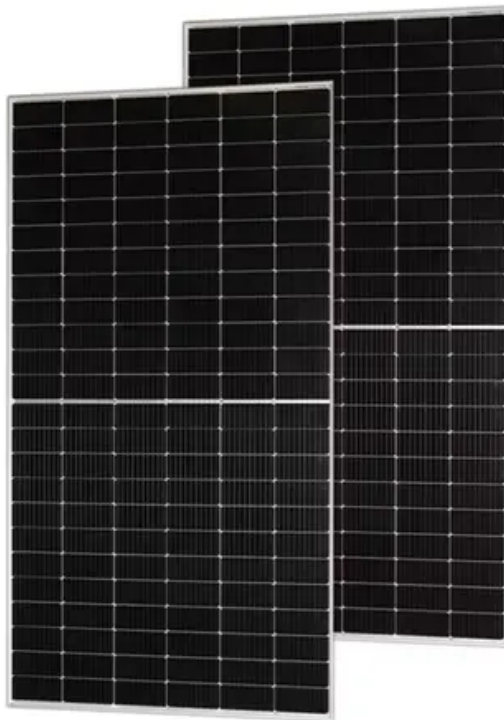


PIENAAR ENERGY (PTY) LTD

10mwh photovoltaic energy storage cabinet procurement contract



10mwh photovoltaic energy storage cabinet procurement contract



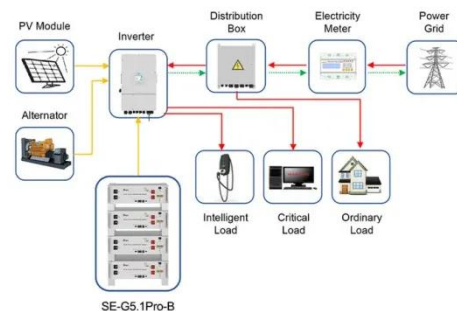
Procurement Contract for 10MWh Smart Photovoltaic Energy ...

View energy storage tenders, RFPs and contracts. Bid on readily available energy storage tenders with the best and most comprehensive tendering platform, since 2002.

[Get Price](#)

Key Considerations for Utility-Scale Energy Storage Procurements

There are three key types of procurement contracts--power purchase agreements (PPAs) or energy storage services agreements; engineering, procurement, and construction (EPC) ...



Application scenarios of energy storage battery products

[Get Price](#)



Energy Storage

The following provides information on California energy storage legislation, the CPUC energy storage program and projects evaluation, CPUC energy storage proceedings, current energy ...

[Get Price](#)

P-1238, CONSTRUCTION OF GRID STABILITY AND RESILIENCY ...

This procurement is for the design-build construction contract to install 10 megawatts (MW) of battery energy storage systems (BESS) that will enhance energy security at various locations at the Marine ...



[Get Price](#)



How to sign a contract for energy storage system procurement

There are three key types of procurement contracts--power purchase agreements (PPAs) or energy storage services agreements; engineering, procurement, and construction (EPC) agreements; and ...

[Get Price](#)

DOE ESHB Chapter 20 Energy Storage Procurement

This chapter supports procurement of energy storage systems (ESS) and services, primarily through the development of procurement documents such as Requests for Proposal (RFPs), Power Purchase ...



[Get Price](#)

Energy Storage Photovoltaic Bidding Documents: Your

Ultimate ...

If you're an EPC contractor, project developer, or a caffeine-dependent engineer scrolling through yet another article on energy storage photovoltaic bidding documents, welcome!

[Get Price](#)



Energy Storage Equipment, Energy storage solutions, Lithium battery

The core consists of three parts - photovoltaic power generation, energy storage batteries, and charging piles. These three parts form a microgrid, using photovoltaic power ...

[Get Price](#)



Blueprint 3A How-To Guide: Solar + Storage Power Purchase ...

Decide whether to include solar + storage projects in a procurement based on storage benefits for addressing energy cost savings and/or resilience use cases at specific sites.

[Get Price](#)



P-1238, CONSTRUCTION OF GRID STABILITY AND RESILIENCY ...

Find your local APEX Accelerator (opens in new window) for free government expertise related to contract opportunities. APEX Accelerators are funded in part through a cooperative ...

[Get Price](#)



Contact Us

For catalog requests, pricing, or partnerships, please visit:
<https://www.pienaarshof.co.za>

